

Extreme VTE2/8

HoBao

HoBao Racing Inc.
No. 34, Lane 112, Szu Yuan Road, Hsin Chuang District,
New Taipei City, Taiwan 24250
Phone: +886-2-2996-2229
Email: hobao@hobao.com.tw

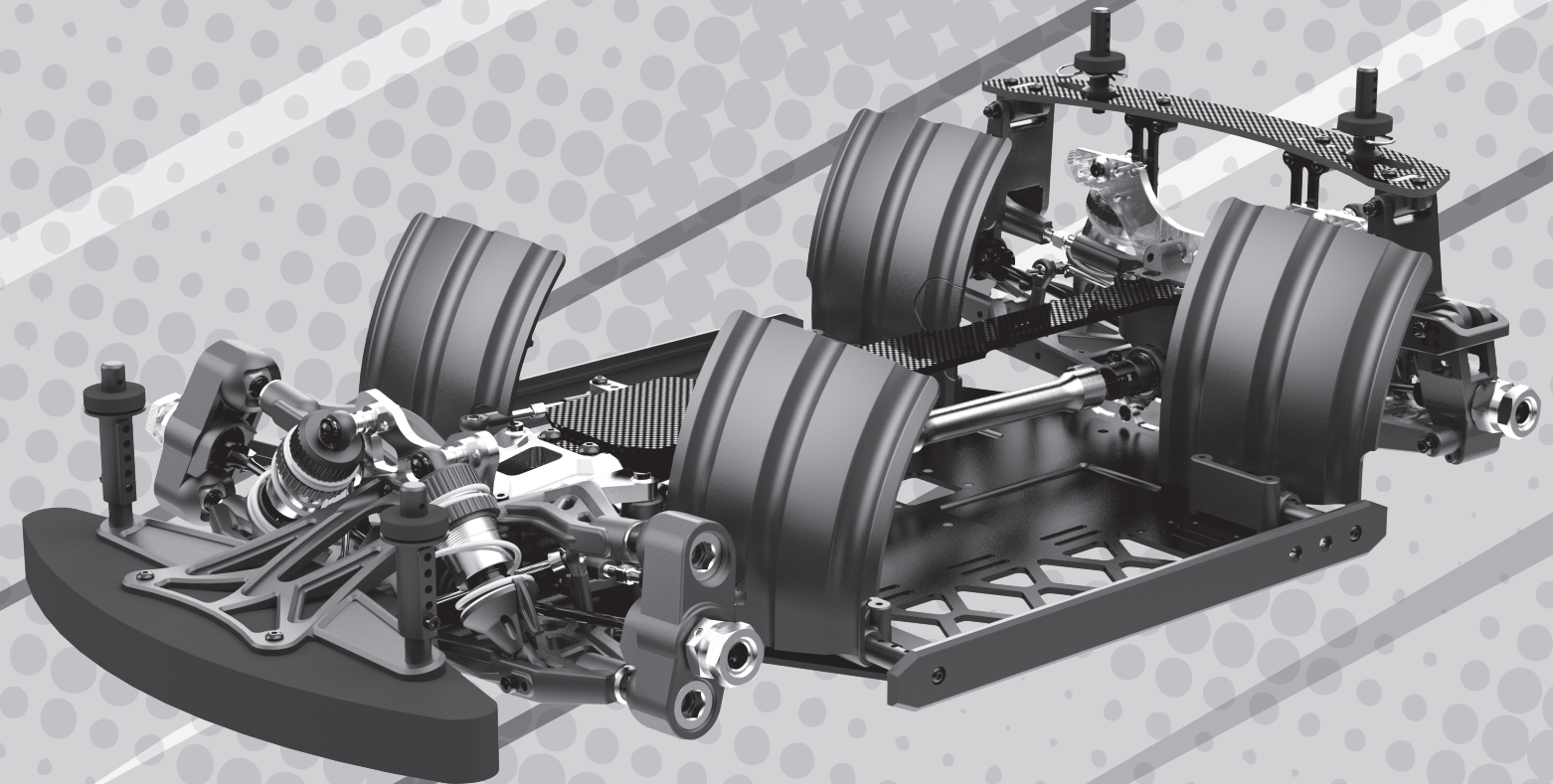
HoBao Racing USA
7607 Grissom Road, Suite
#107, San Antonio, TX 78251. US
Email: help@hobao-usa.com

HoBao Racing Direct eShop: <http://eshop.hobao-racing.com>

1/8th SCALE

360mm Wheelbase

SPEED RUN DRAG RACING

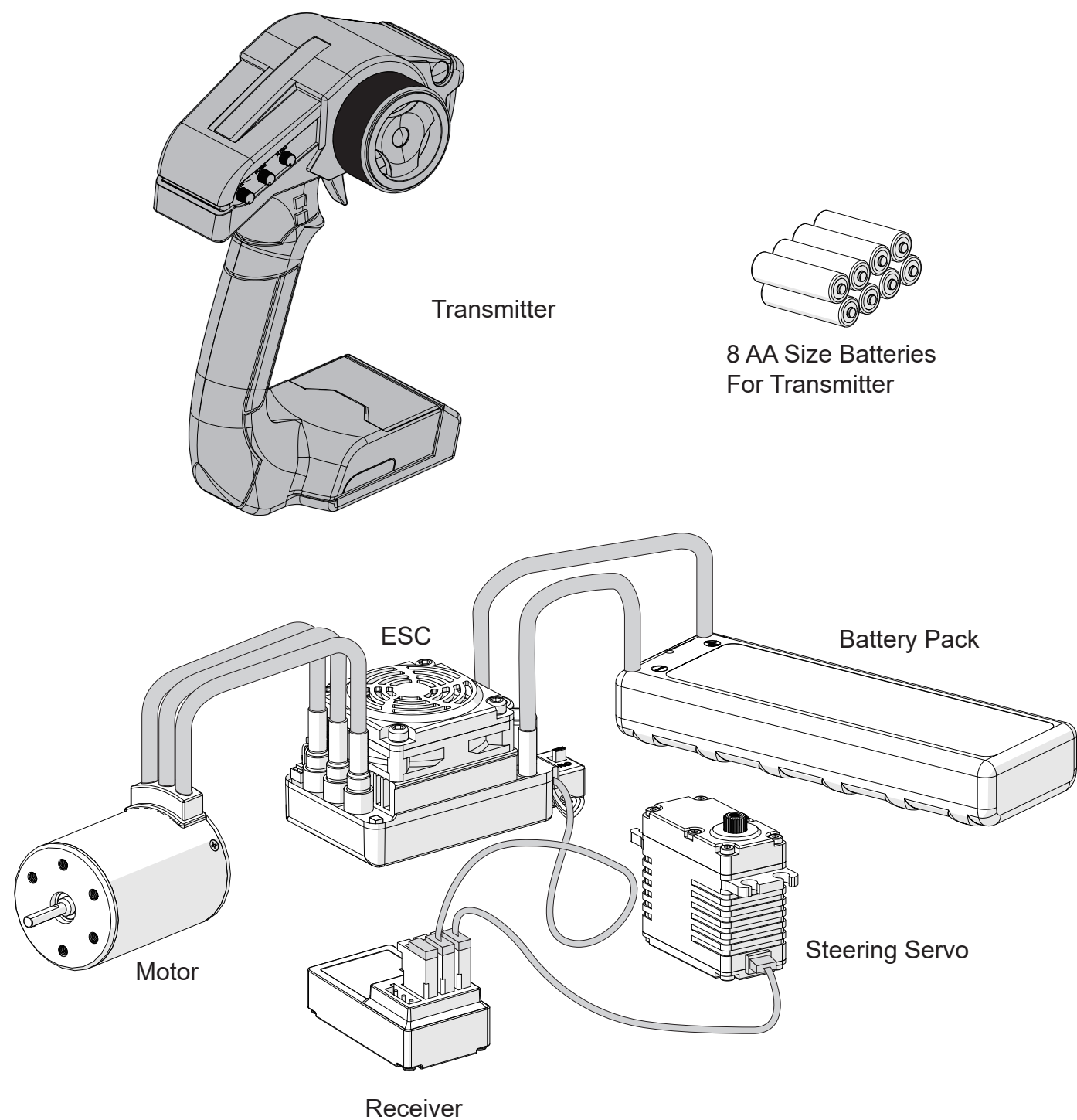


INSTRUCTION MANUAL

Extreme VTE2/8

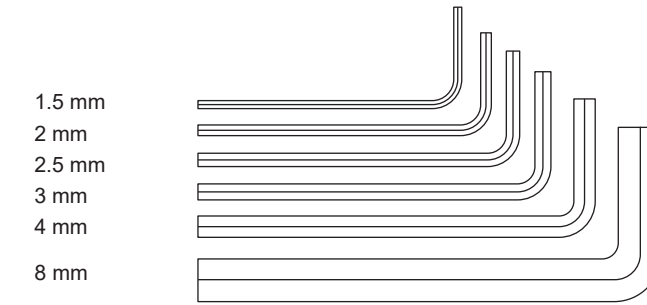
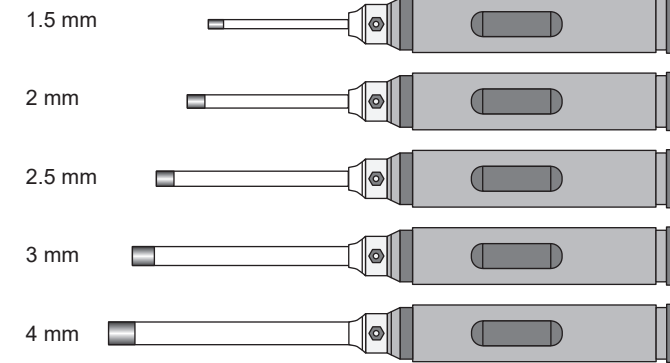
REQUIRED

Radio Control Equipment Set

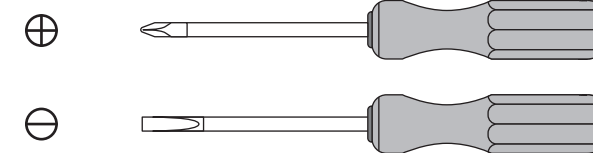


Tools Recommended

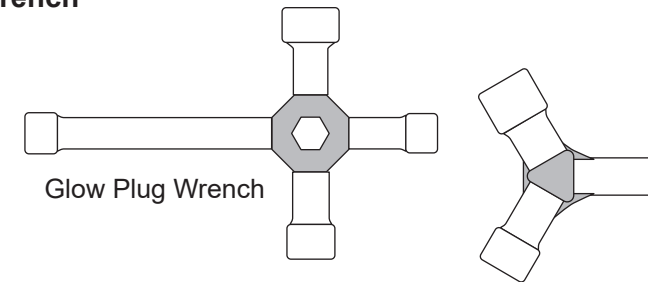
Hex Wrench



Screwdriver



Wrench



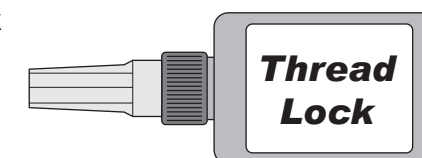
Instant Cement



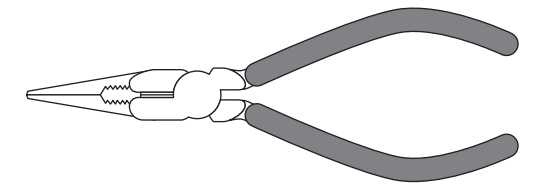
Rubber Cement



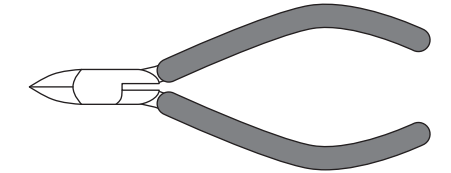
Thread Lock



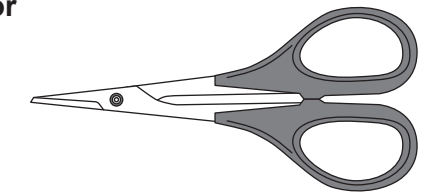
Long Nose Pliers



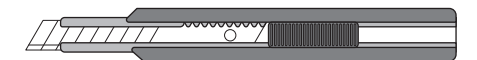
Side Cutter



Curved Scissor



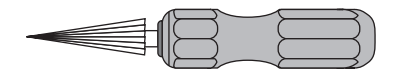
Modeling Knife



Tweezers



Reamer

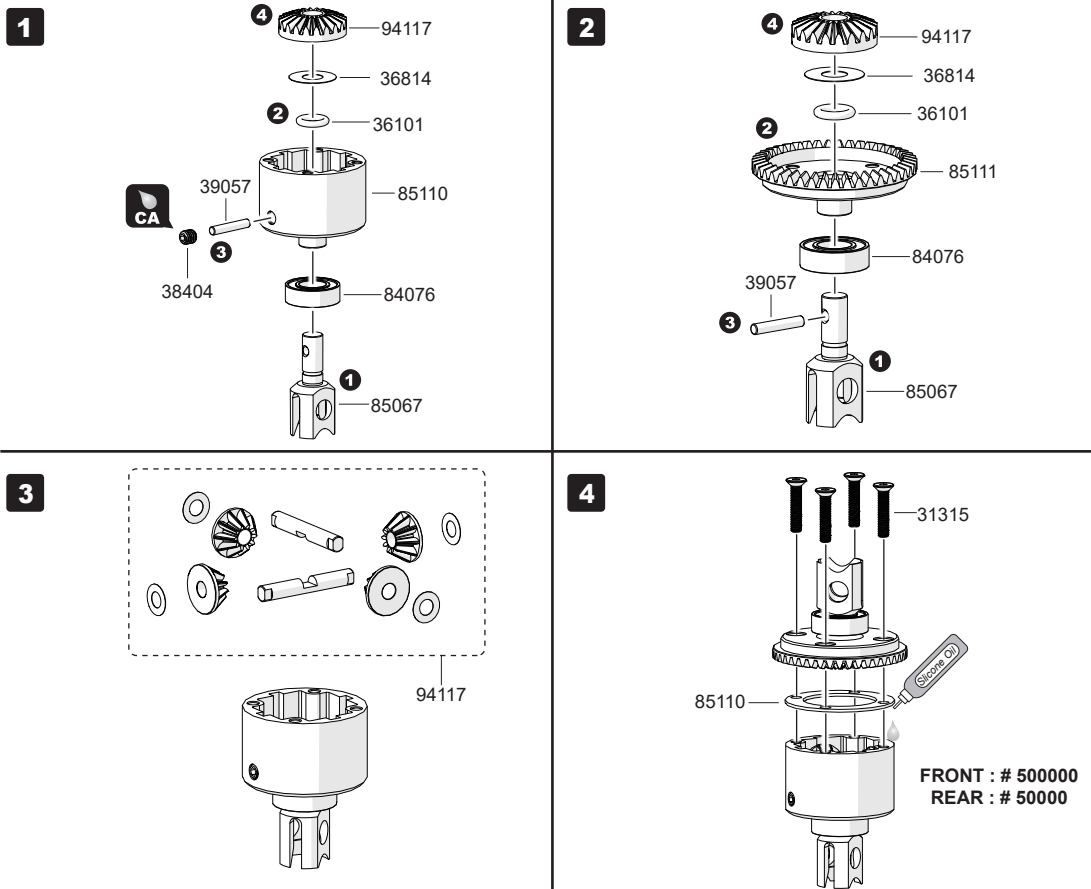
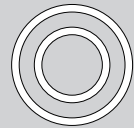
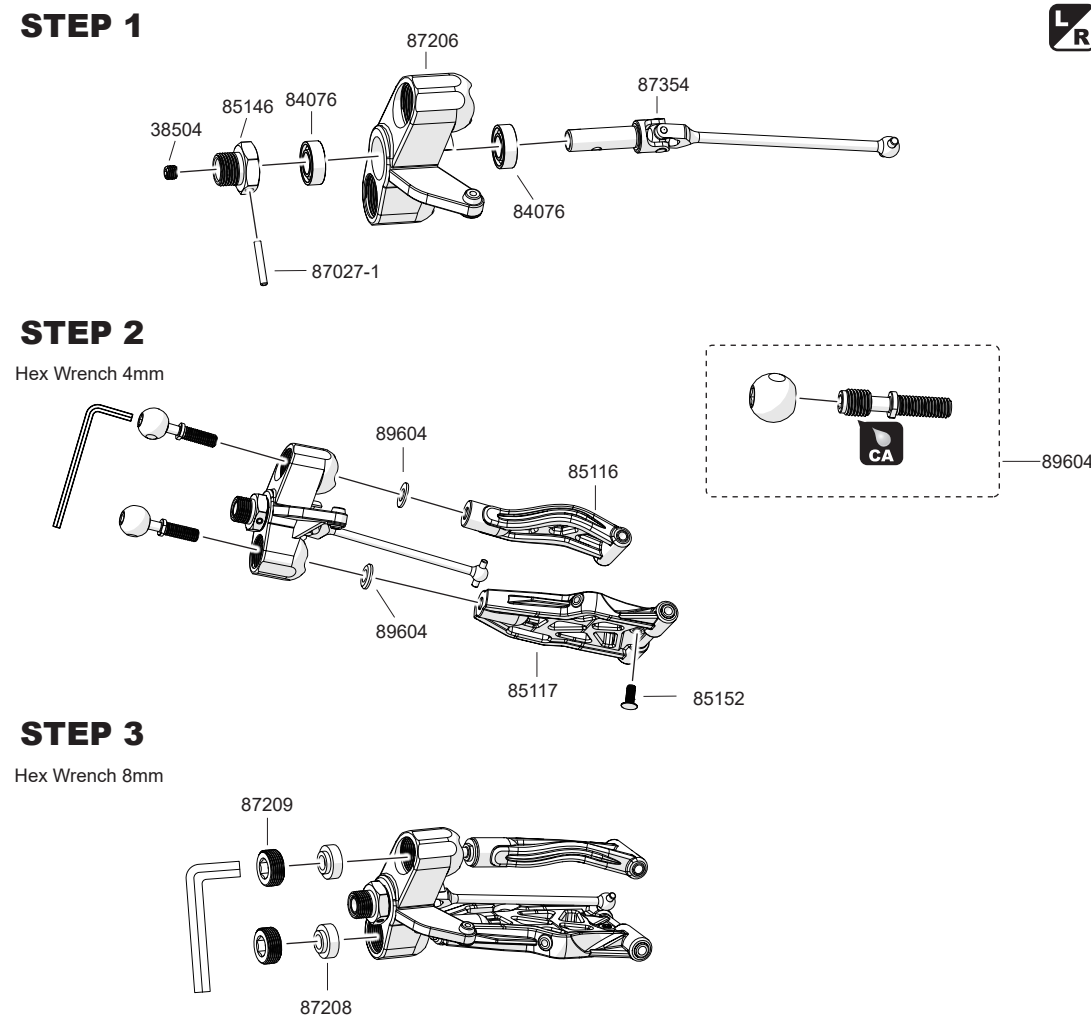
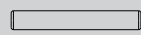
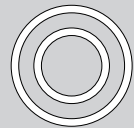
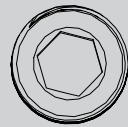
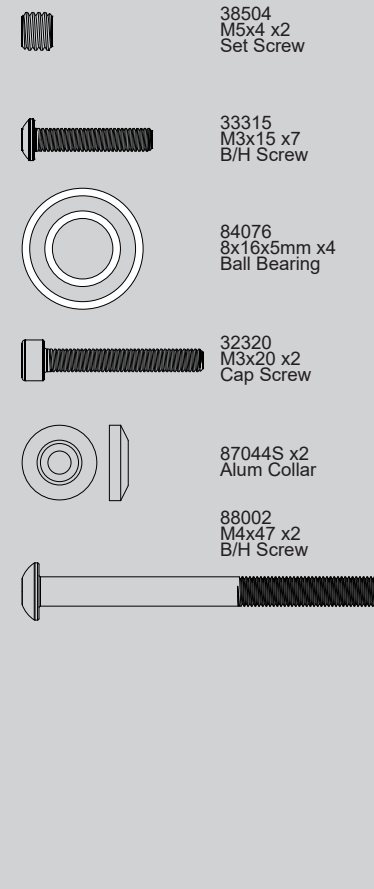
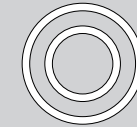
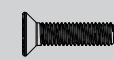
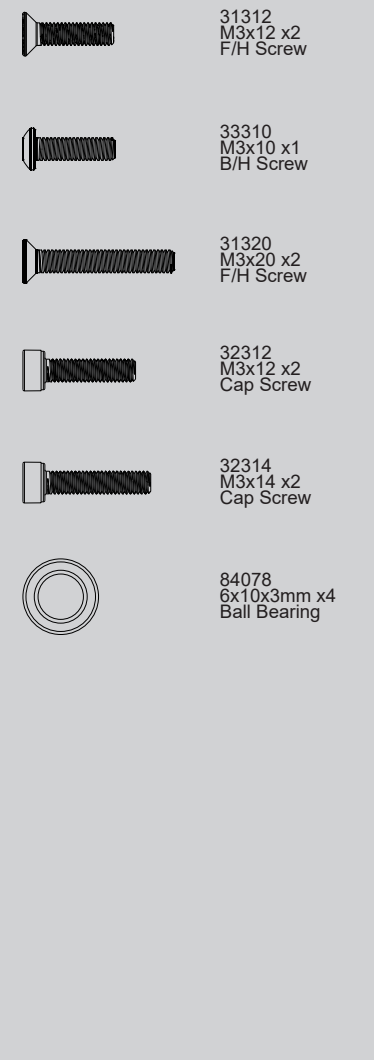
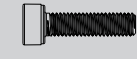
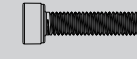
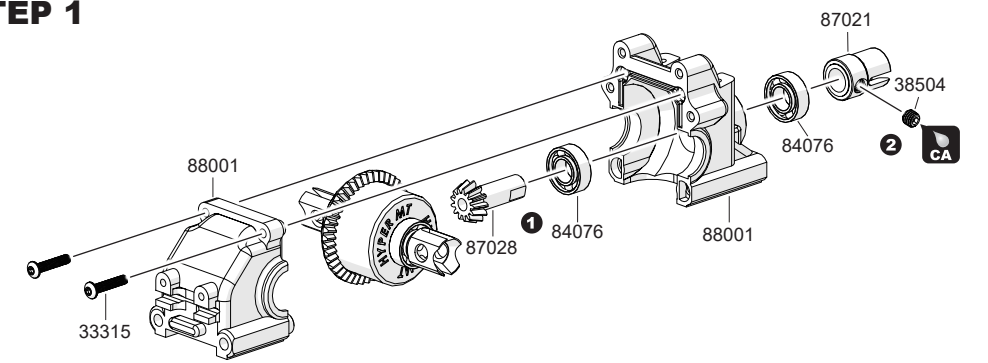
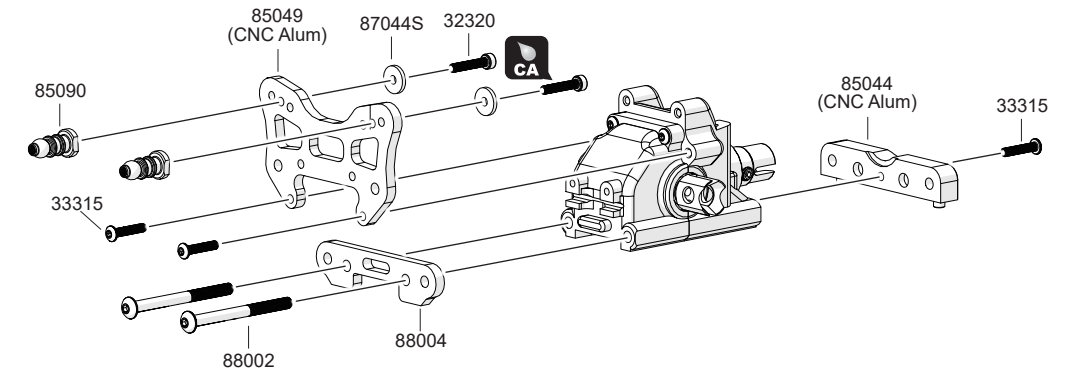
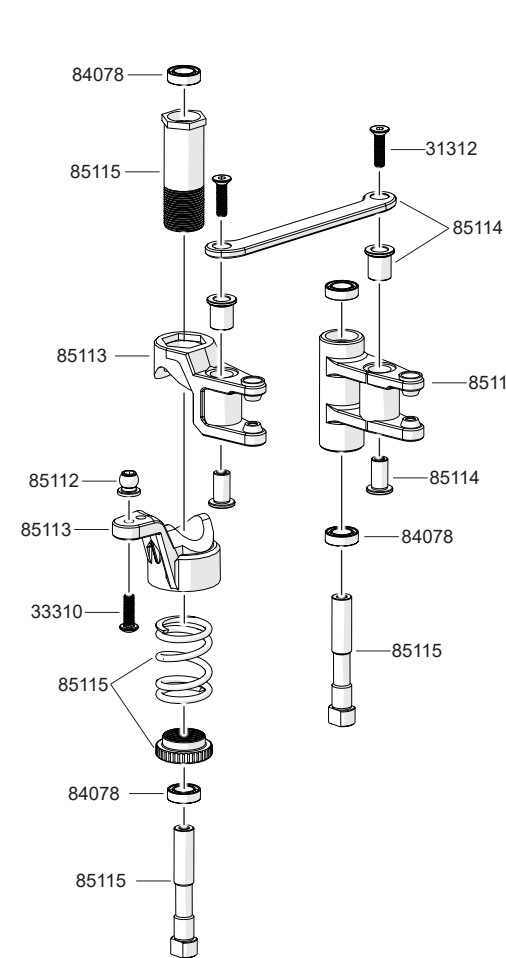
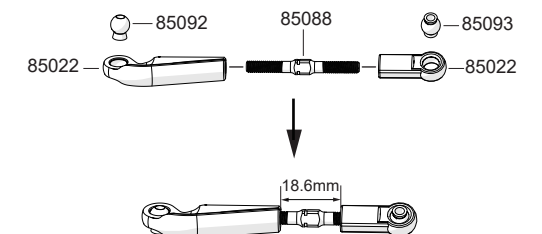
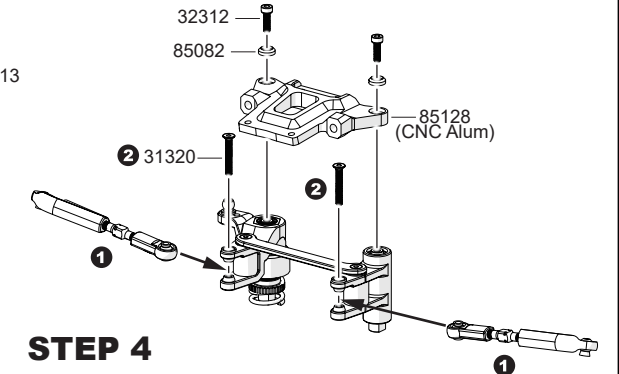
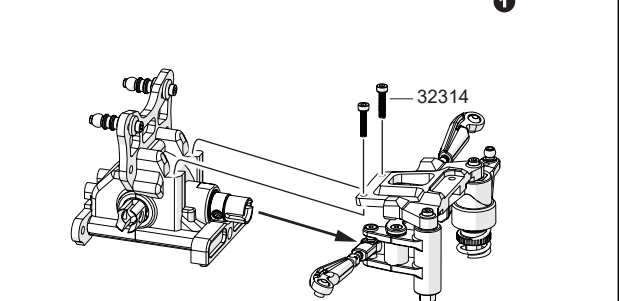


Grease



Silicone Oil

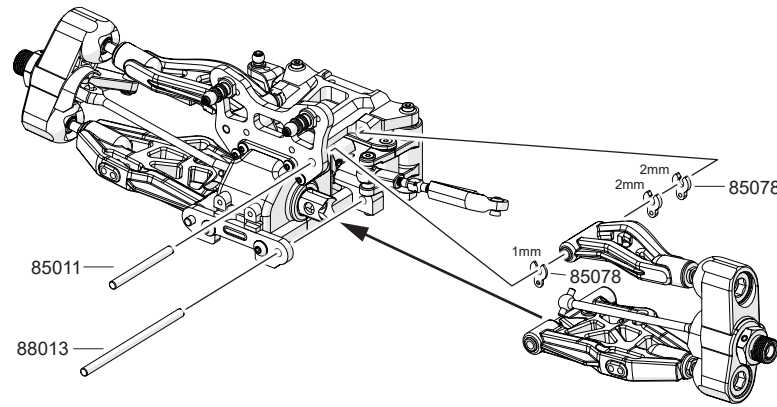


1**Front / Rear Differential Assembly**85066
4.1x8x0.1mm x8
Washer36814
6.1x11x0.15mm x4
Washer36101
5.8x1.9mm x4
O-ring38404
M4x4 x2
Set Screw31315
M3x15 x8
F/H Screw39057
2.5x10.8mm x4
Shaft84076
8x16x5mm x4
Ball Bearing**2****Front Pivot Ball Steering and Suspension Arm Assembly**38504
M5x4 x2
Set Screw87027-1
2.5x16.8mm x2
Shaft84076
8x16x5mm x4
Ball Bearing87209
Set Screw85152
M4x10 x2
Set Screw**3****Front Shock Tower and Lower Arm Holder Assembly**38504
M5x4 x2
Set Screw33315
M3x15 x7
B/H Screw84076
8x16x5mm x4
Ball Bearing32320
M3x20 x2
Cap Screw87044S x2
Alum Collar88002
M4x47 x2
B/H Screw**4****Servo Saver Assembly**31312
M3x12 x2
F/H Screw33310
M3x10 x1
B/H Screw31320
M3x20 x2
F/H Screw32312
M3x12 x2
Cap Screw32314
M3x14 x2
Cap Screw84078
6x10x3mm x4
Ball Bearing**STEP 1****STEP 2****STEP 1****STEP 2****STEP 3****STEP 4**

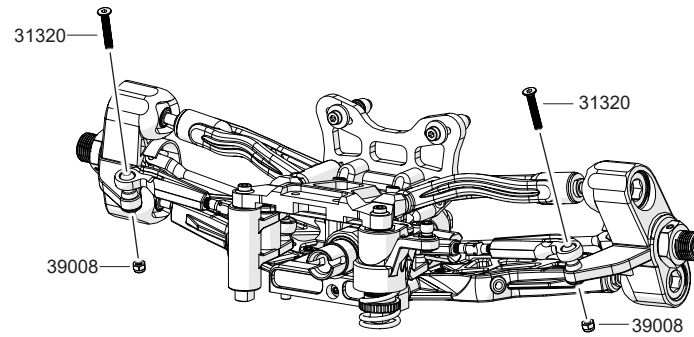
5

Front Suspension Arm Assembly

STEP 1



STEP 2



31320
M3x20 x2
F/H Screw

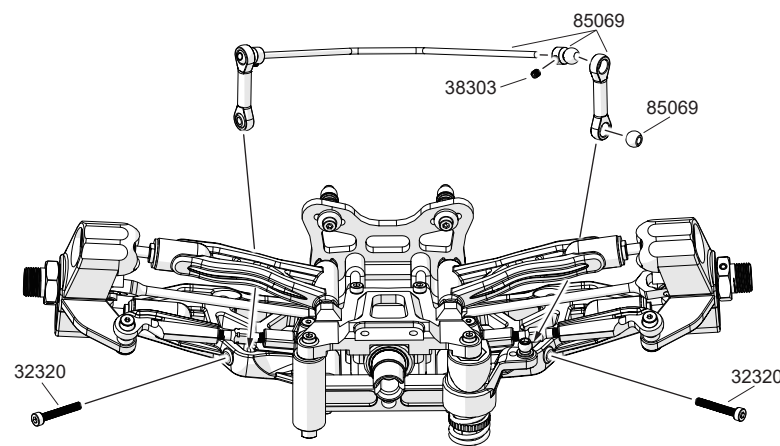


39008
M3 Nut x2

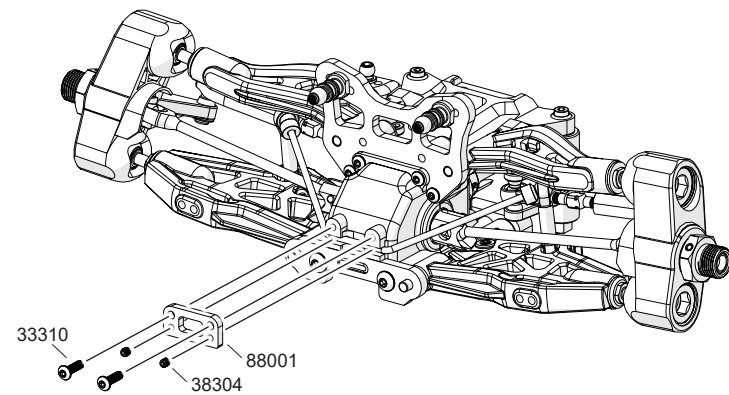
6

Front Sway Bar Assembly

STEP 1



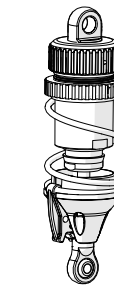
STEP 2



7

Front / Rear Shock Absorber Assembly

Shock Set No. 90082



90030
M2.6 Nut x4



90030
3.1x7x0.25mm x4
Washer



90036
O-Ring Shield



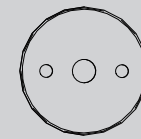
90036
4x8mm x8
O-Ring



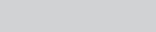
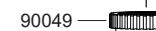
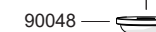
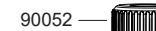
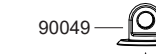
90036
4.05x7.98x1.2mm x4
Washer



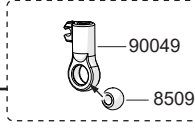
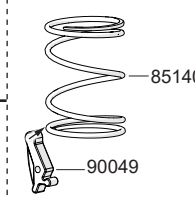
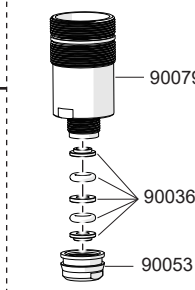
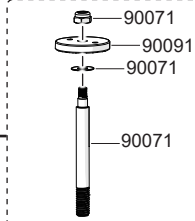
85091
6.8mm x4
Ball



90091
3x17x2.4mm

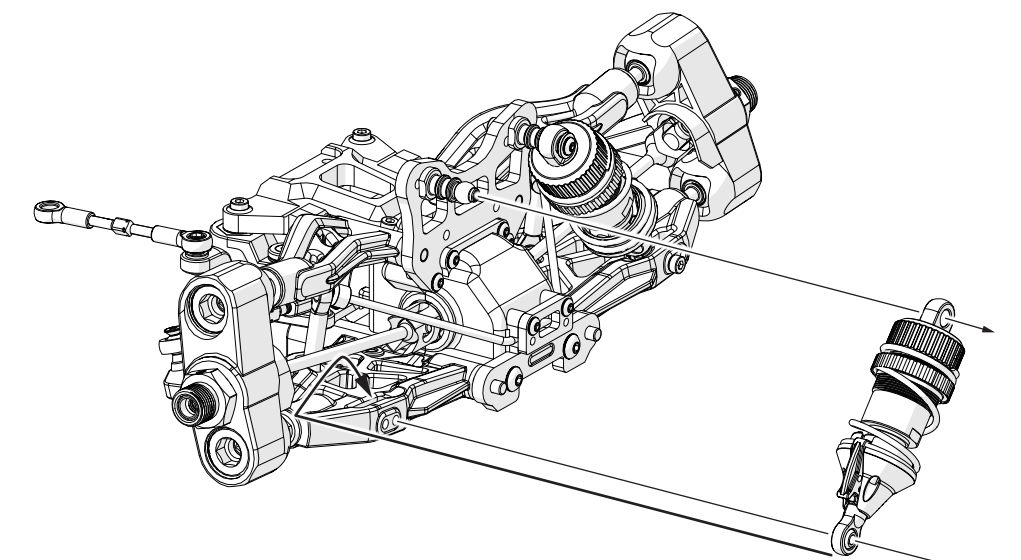


FRONT : # 600
REAR : # 600



8

Front Shock Assembly



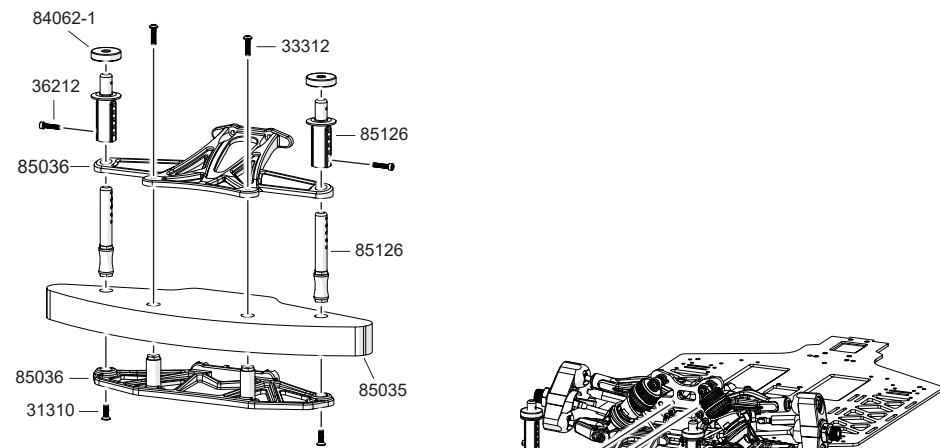
32320
M3x20 x2
Cap Screw

32320

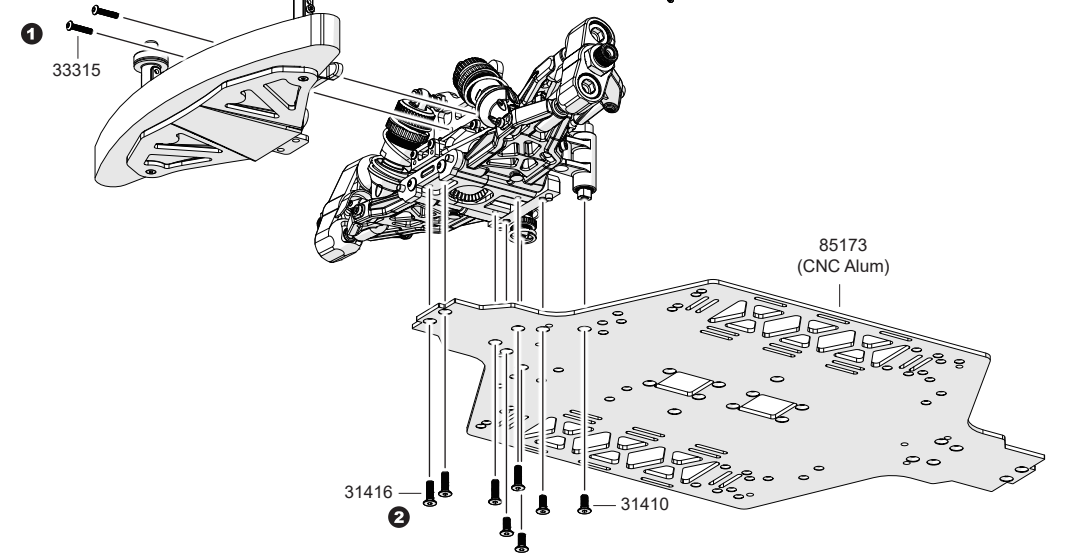
9

Front Clip with Bumper Assembly

STEP 1



STEP 2

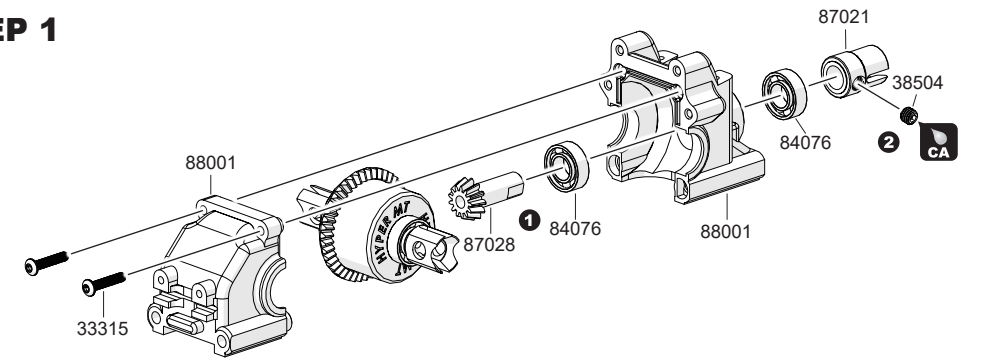


- 36212 M2.6x12 x2 Cap Screw
- 33312 M3x12 x2 B/H Screw
- 33315 M3x15 x2 B/H Screw
- 31310 M3x10 x2 F/H Screw
- 31416 M4x14 x4 F/H Screw
- 31410 M4x10 x4 F/H Screw

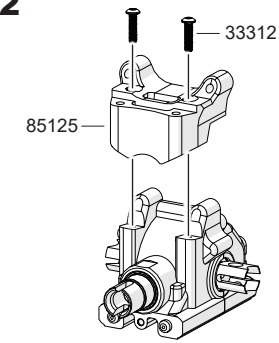
11

Rear Shock Tower/Lower Arm Holder and Gear Box Assembly

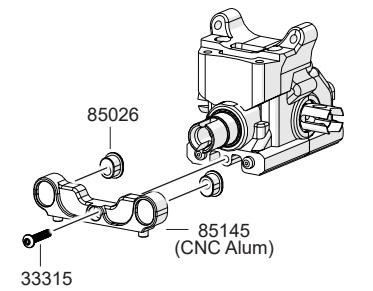
STEP 1



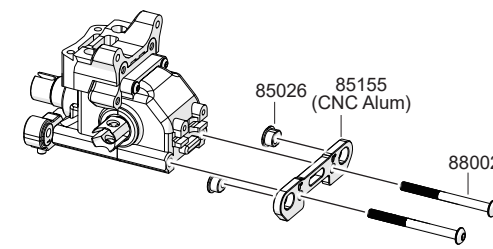
STEP 2



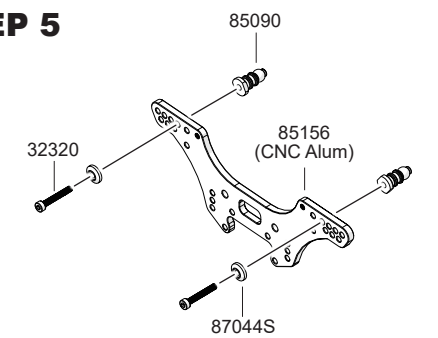
STEP 3



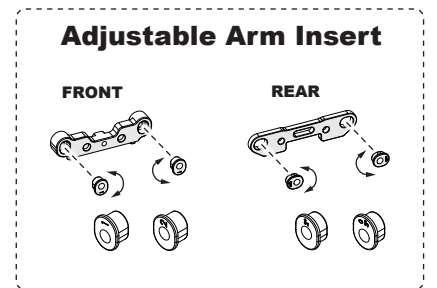
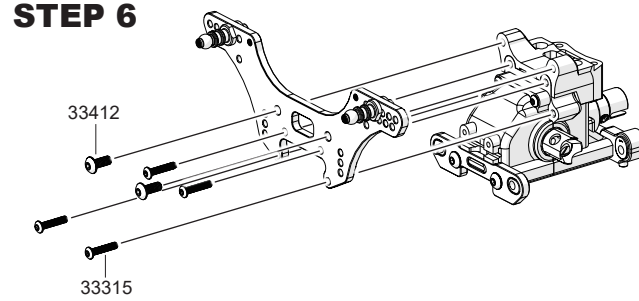
STEP 4



STEP 5



STEP 6

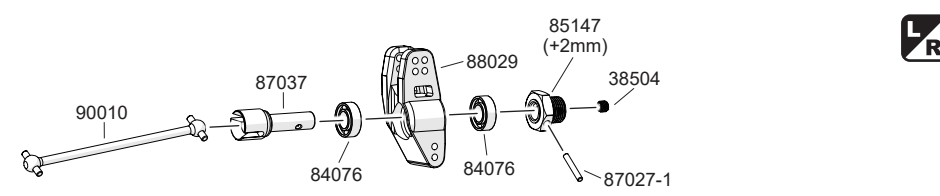


- 38504 M5x4 x2 Set Screw
- 33315 M3x15 x7 B/H Screw
- 84076 8x16x5mm x4 Ball Bearing
- 33412 M4x12 x2 B/H Screw
- 33312 M3x12 x2 B/H Screw
- 32320 M3x20 x2 Cap Screw
- 87044S Alum Collar x2
- 88002 M4x47 x2 B/H Screw

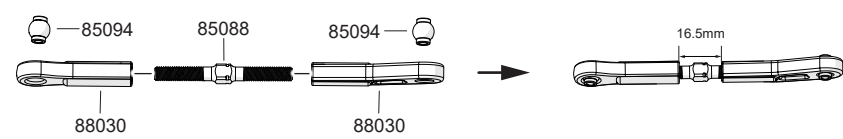
10

Rear Suspension Arm and Axle Assembly

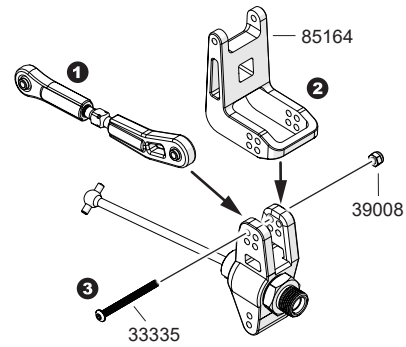
STEP 1



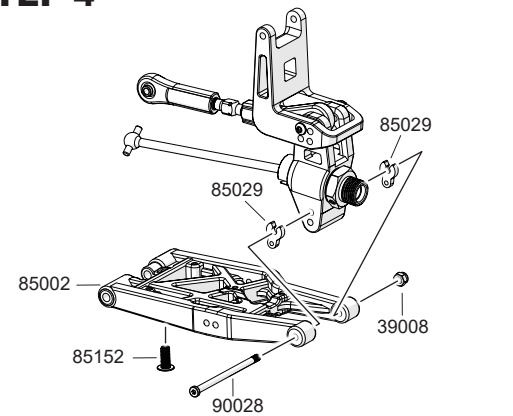
STEP 2



STEP 3

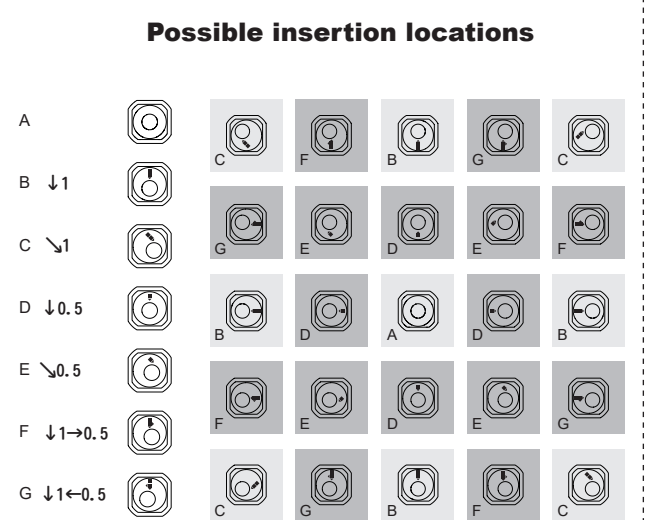


STEP 4



- 33335 M3x35 x2 B/H Screw
- 39008 M3 Nut x2
- 85152 M4x10 x2 Set Screw

OPTIONAL PARTS	
<p>OP-0176</p> <p>RF CNC Alum 2pcs</p>	<p>OP-0177</p> <p>RR CNC Alum 2pcs</p>
<p>OP-0178</p> <p>1 DEG 8pcs</p>	<p>OP-0179</p> <p>0.5 DEG 16pcs</p>

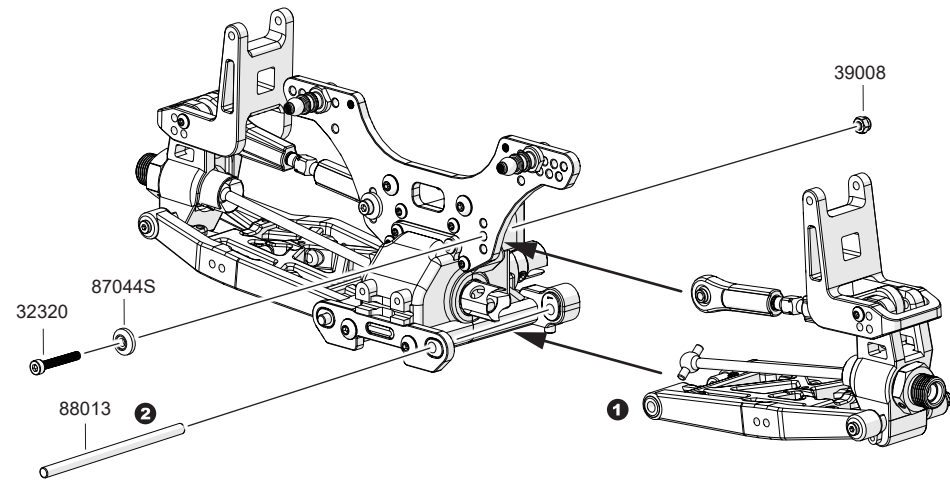


12**Rear Suspension Arm Assembly**

32320
M3x20 x2
Cap Screw

39008
M3 Nut x2

87044S
Alum Collar x2

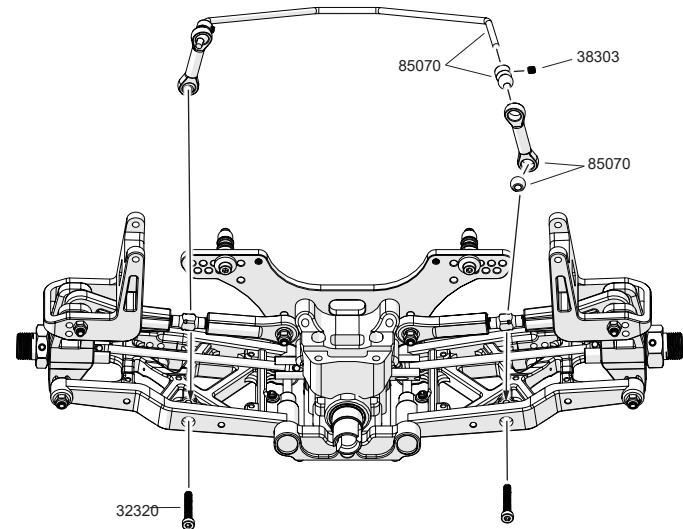
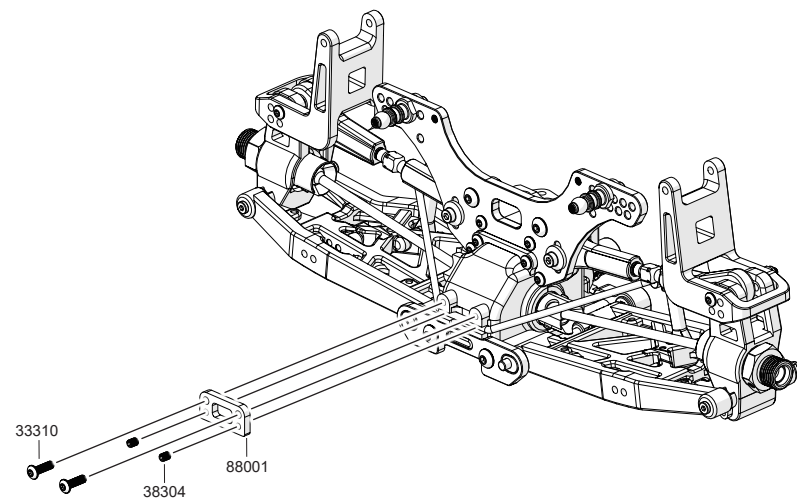
**13****Rear Sway Bar Assembly**

32320
M3x20 x2
Cap Screw

38303
M3x3 x2
Set Screw

33310
M3x10 x2
B/H Screw

38304
M3x4 x2
Set Screw

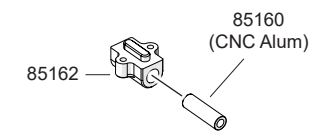
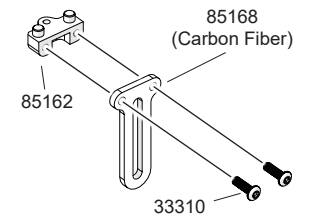
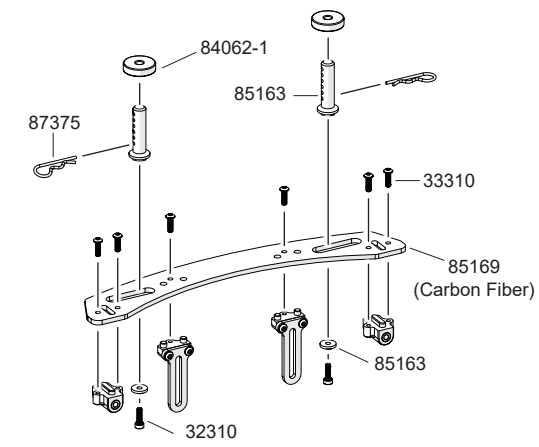
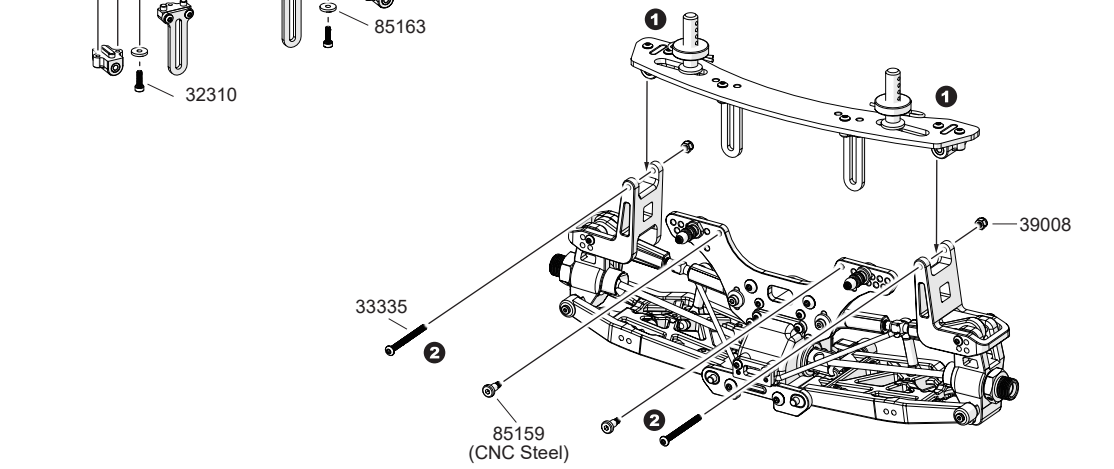
STEP 1**STEP 2****14****Rear Floating Mount Assembly**

33310
M3x10 x8
B/H Screw

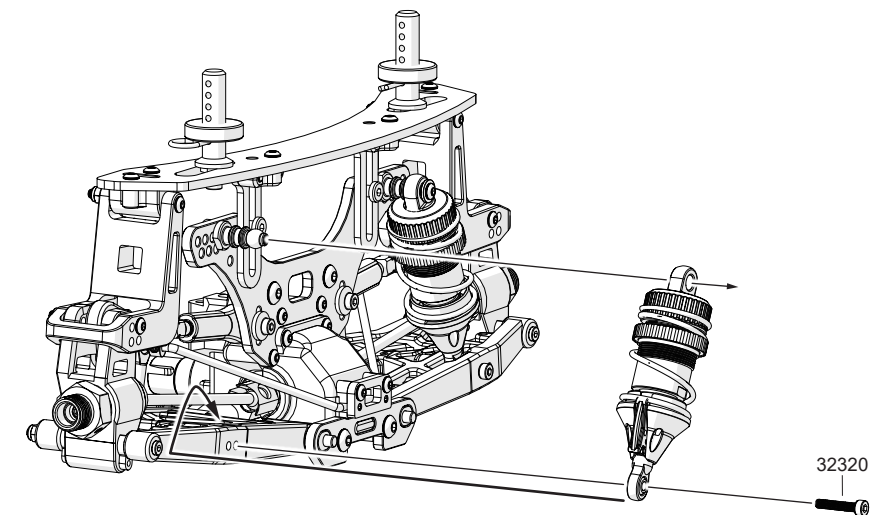
32310
M3x10 x2
Cap Screw

33335
M3x35 x2
B/H Screw

39008
M3 Nut x2

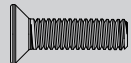
STEP 1**STEP 2****STEP 3****STEP 4****15****Rear Shock Assembly**

32320
M3x20 x2
Cap Screw



16

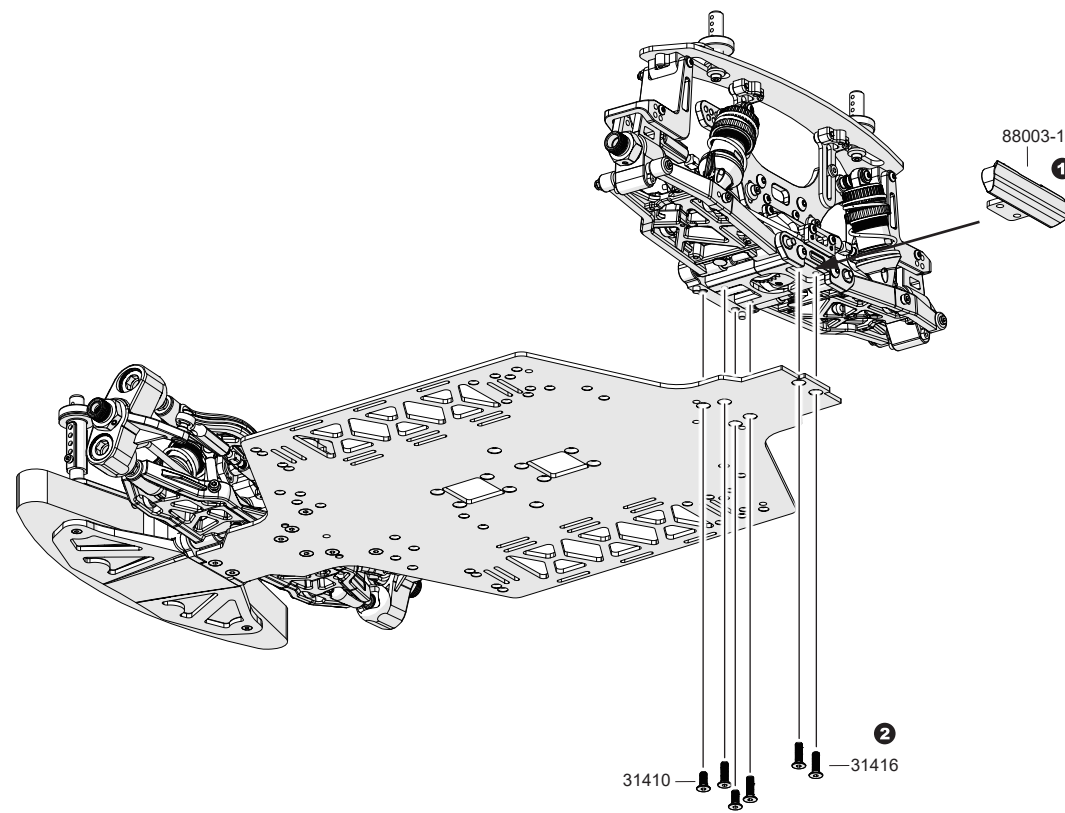
Rear Clip with Bumper Assembly



31416
M4x14 x2
F/H Screw



31410
M4x10 x4
F/H Screw



17

Motor Assembly

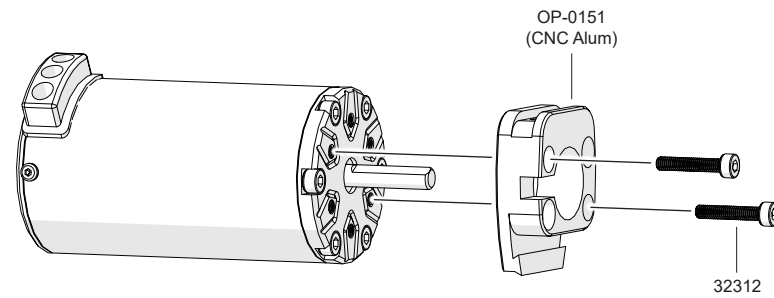


32312
M3x12 x2
Cap Screw

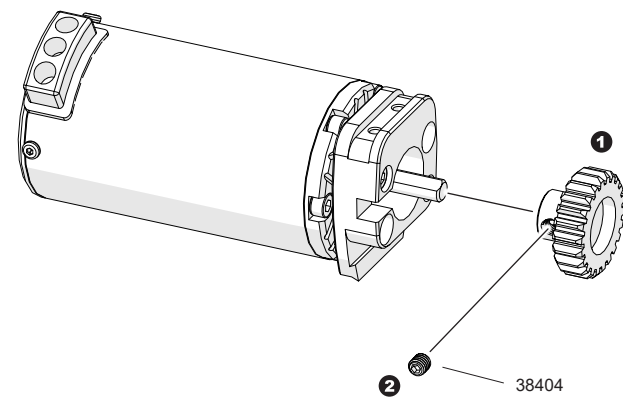


38404
M4x4 x1
Set Screw

STEP 1



STEP 2



18

Center Pool Set Assembly



38505
M5x5 x3
Set Screw

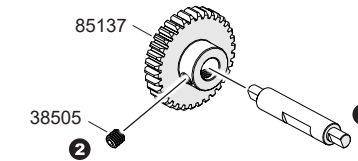


32314
M3x14 x2
Cap Screw

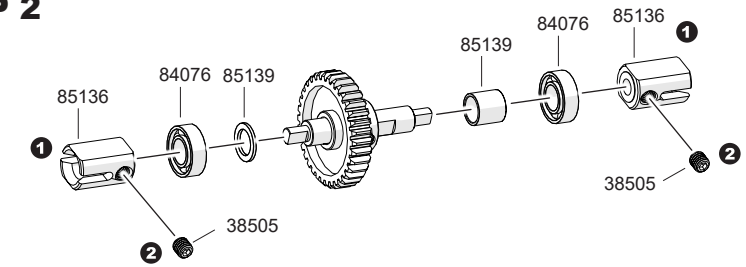


87044S x2
Alum Collar

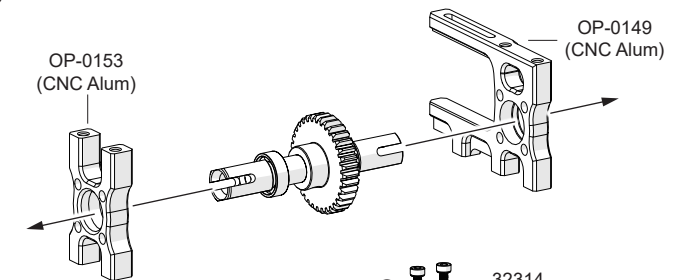
STEP 1



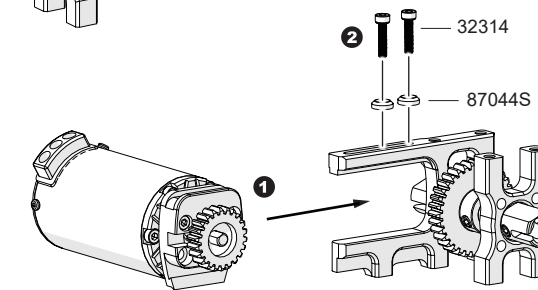
STEP 2



STEP 3



STEP 4

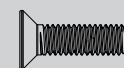


19

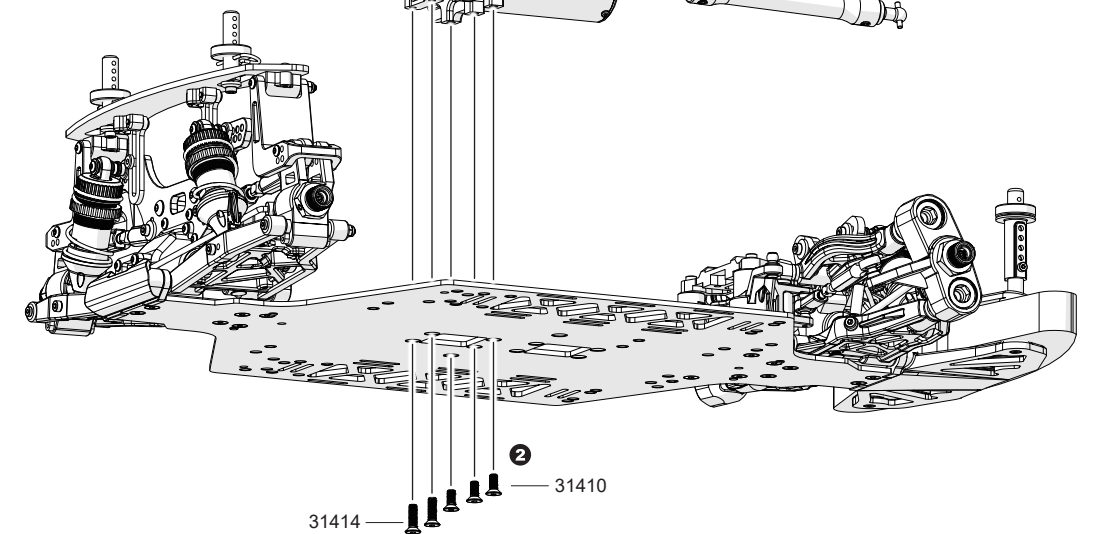
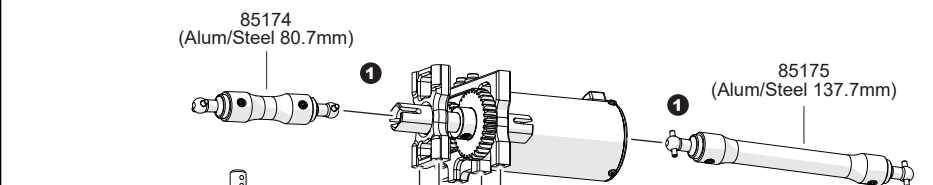
Center Drive Shaft and Motor Unit Assembly



31410
M4x10 x3
F/H Screw



31414
M4x14 x2
F/H Screw



20

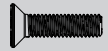
Receiver Box and Steering Servo Assembly 1



33308
M3x8 x2
B/H Screw

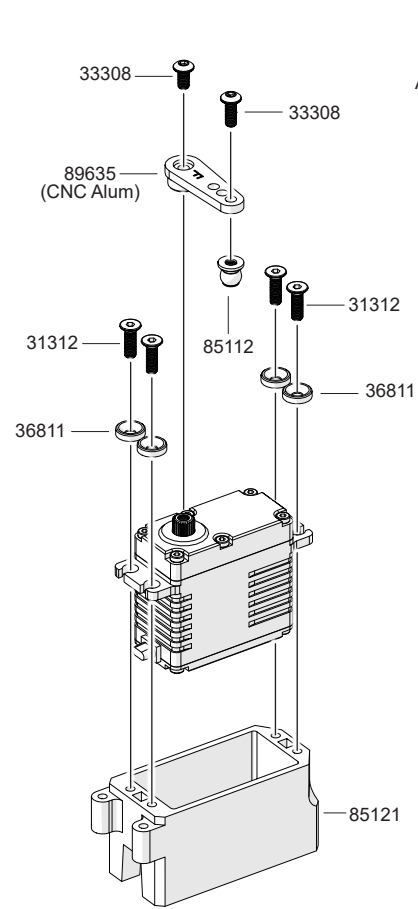


33310
M3x10 x6
B/H Screw

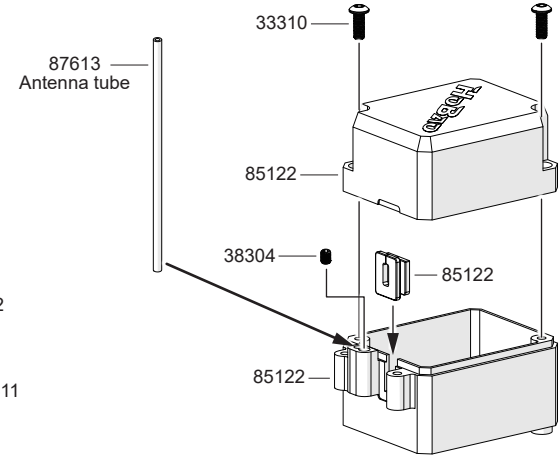


31312
M3x12 x4
F/H Screw

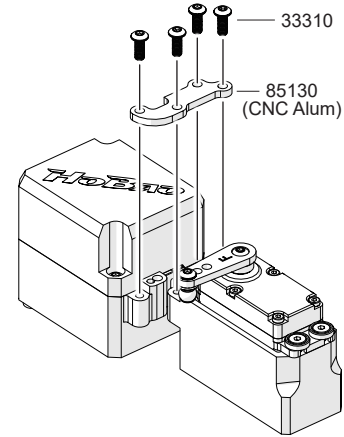
STEP 1



STEP 2



STEP 3

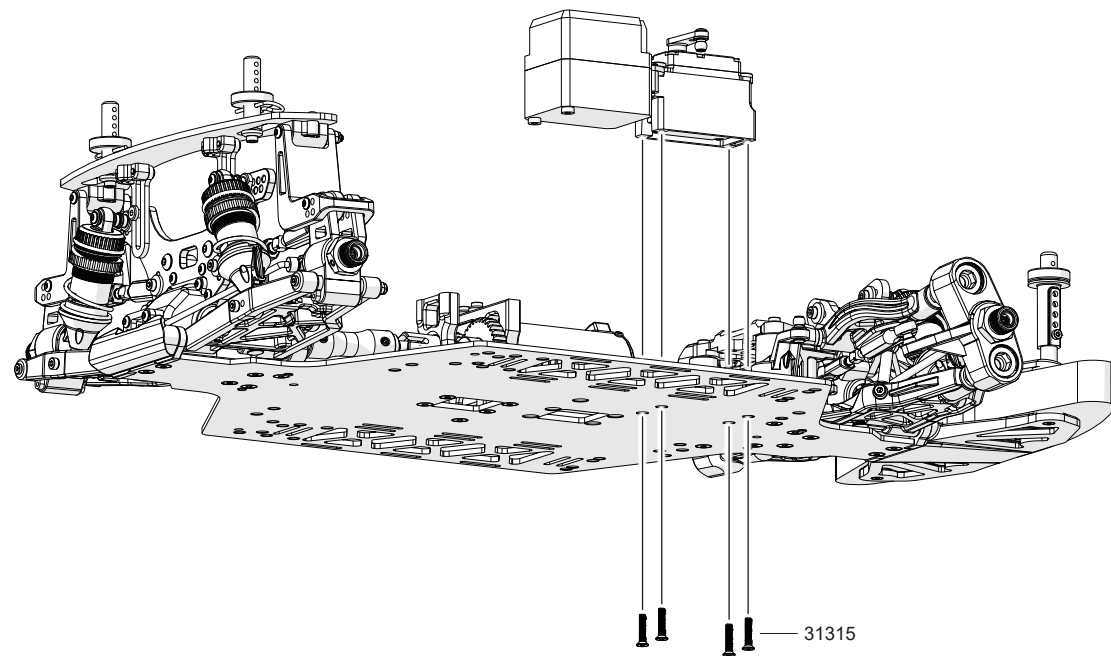


21

Receiver Box and Steering Servo Assembly 2



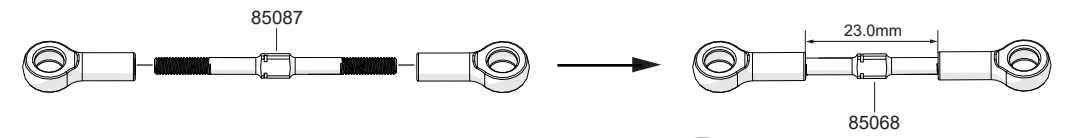
31315
M3x15 x4
F/H Screw



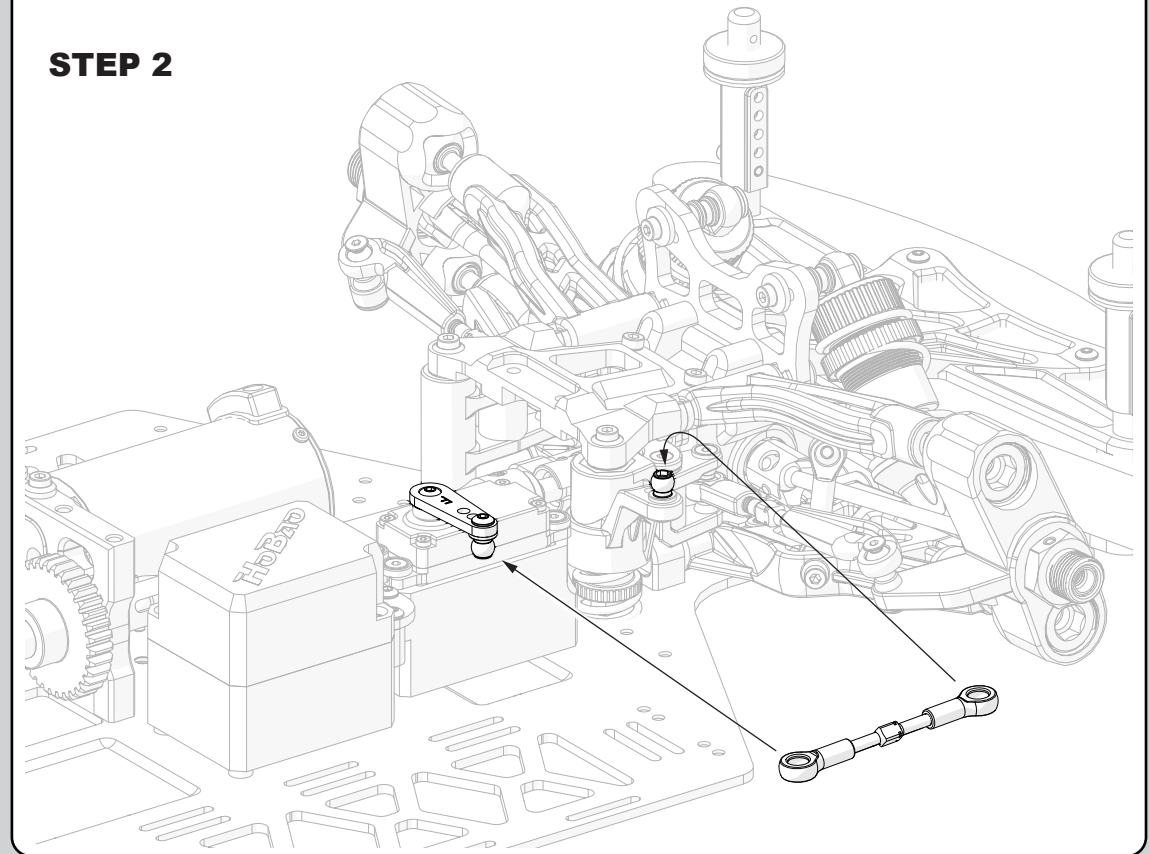
22

Steering Servo Linkage Assembly

STEP 1

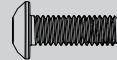


STEP 2



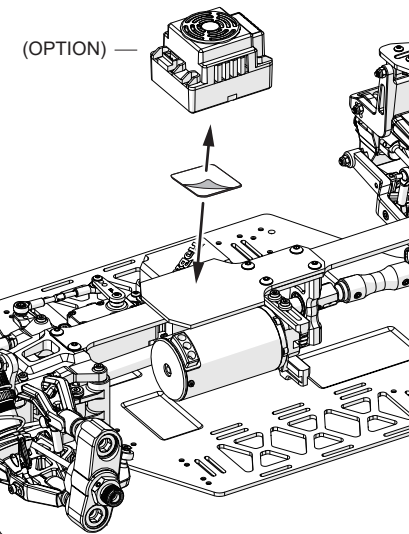
23

Carbon Fiber Top Brace Assembly

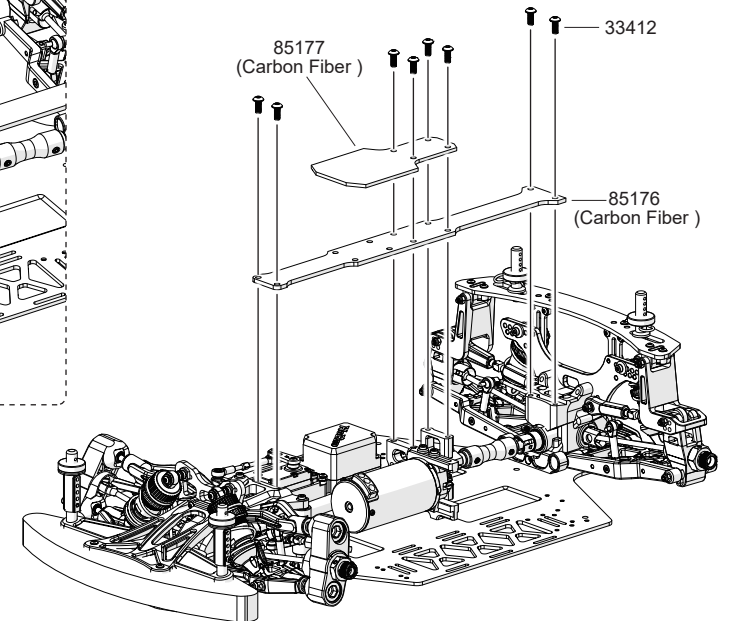
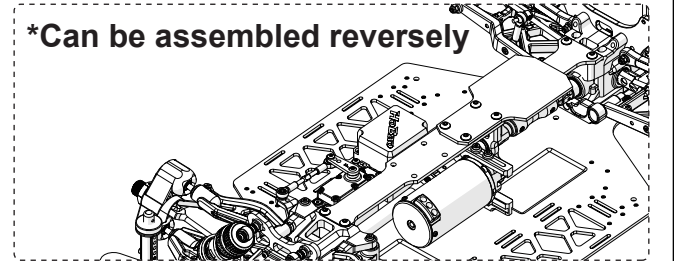


33412
M4x12 x8
B/H Screw

Electric Speed Controller



*Can be assembled reversely



24

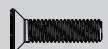
Side Body Support Assembly



36212
M2.6x12 x4
Cap Screw

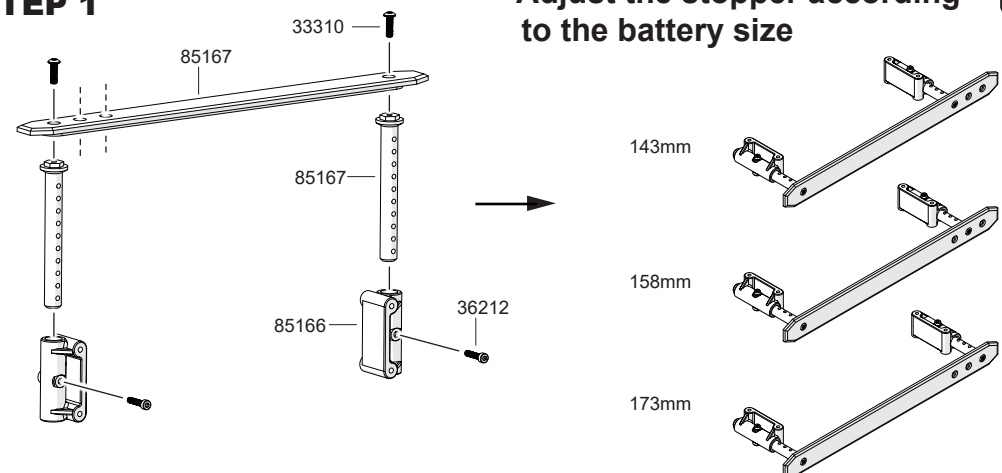


33310
M3x10 x4
B/H Screw

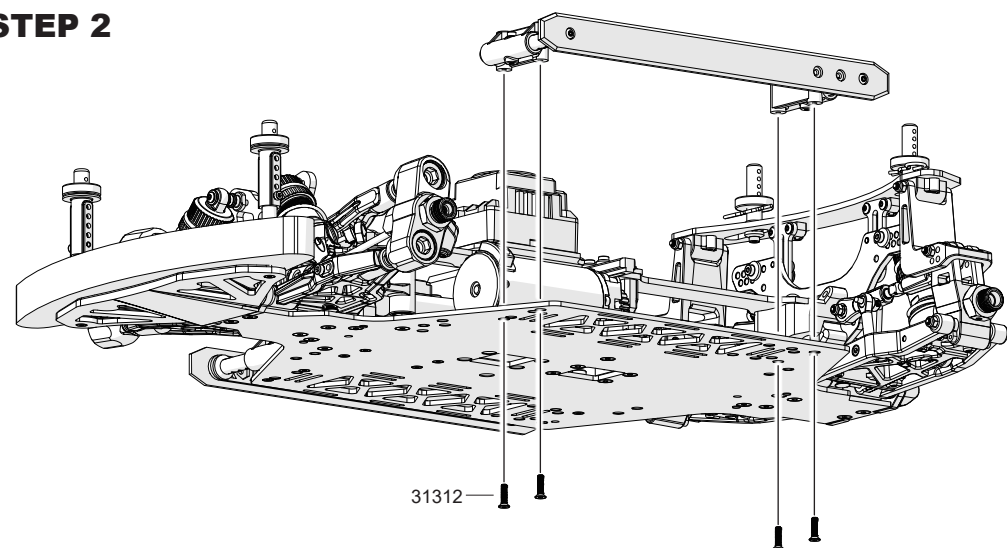


31312
M3x12 x8
F/H Screw

STEP 1



STEP 2



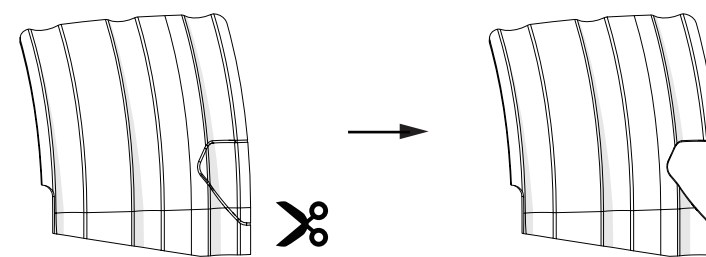
26

Splash Guard Assembly

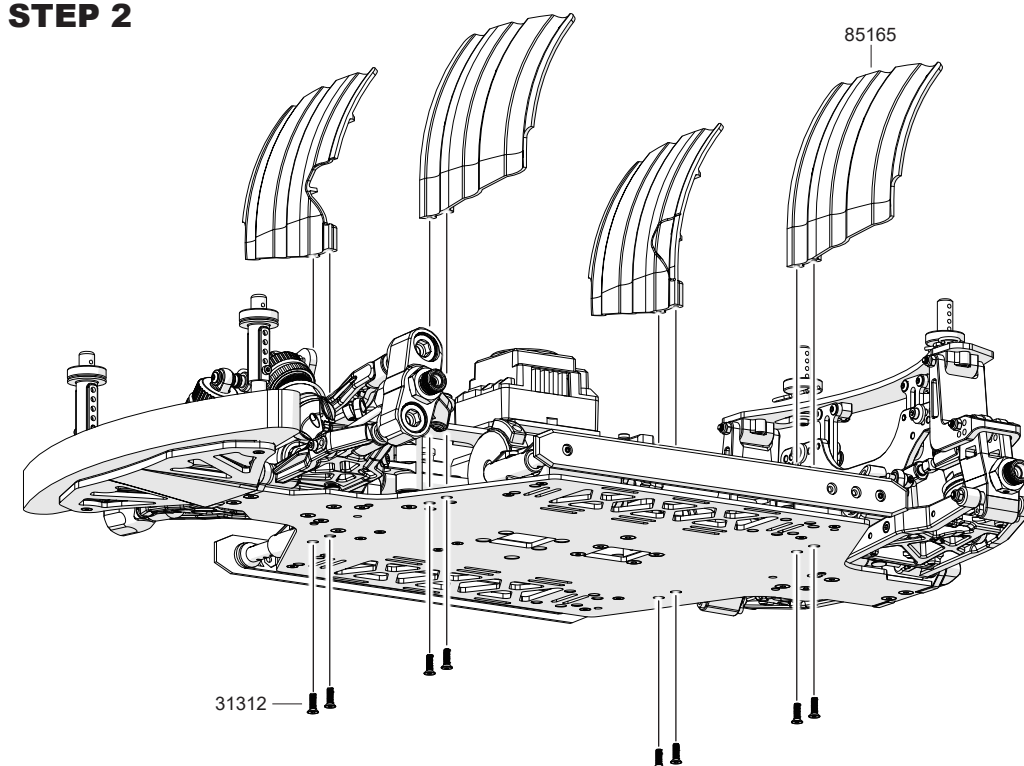


31312
M3x12 x8
F/H Screw

STEP 1

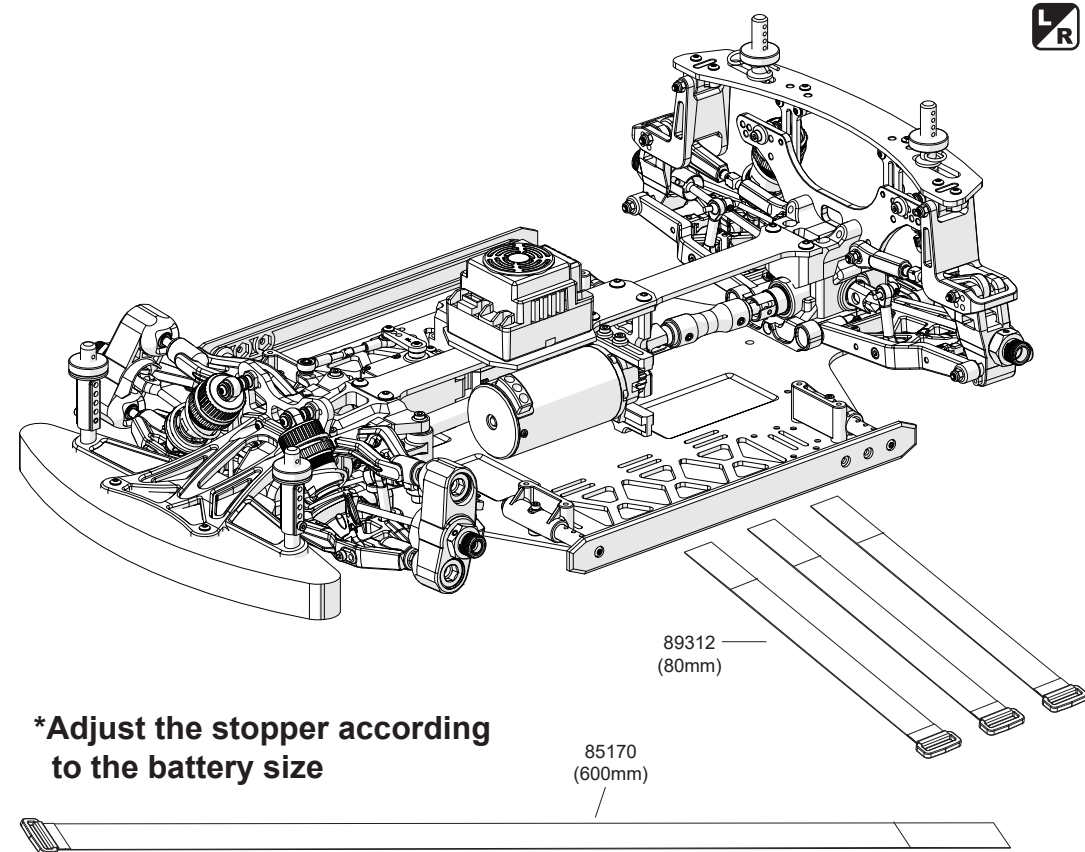


STEP 2

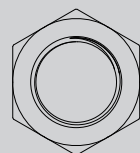


25

Battery Tray Unit Assembly

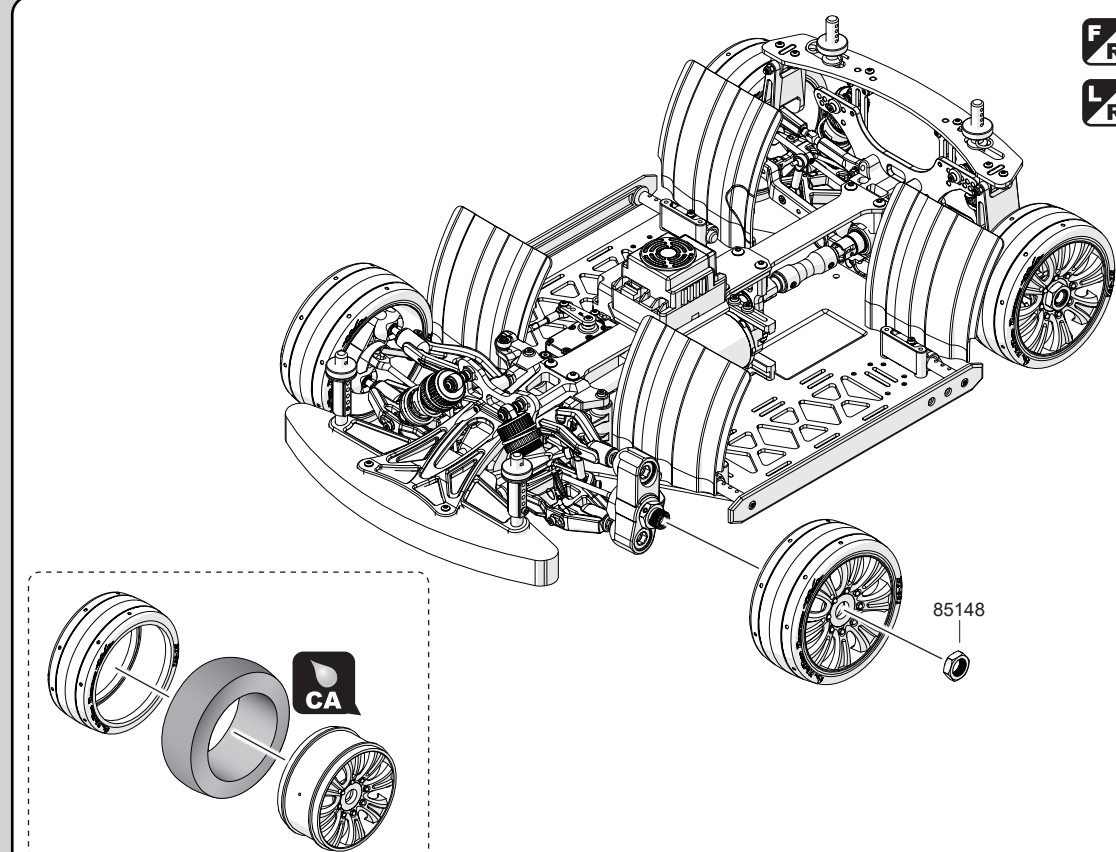


27



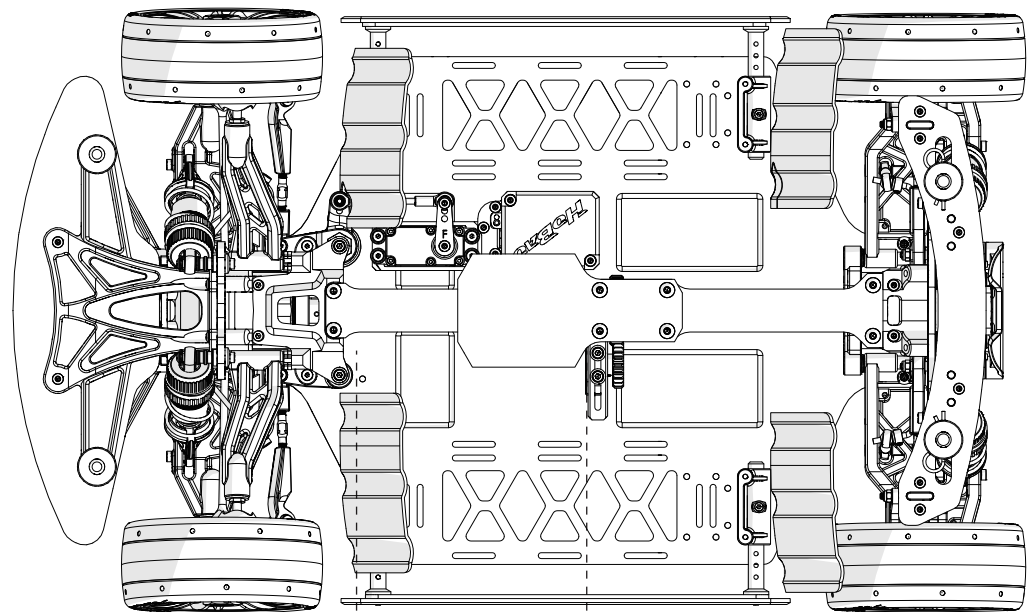
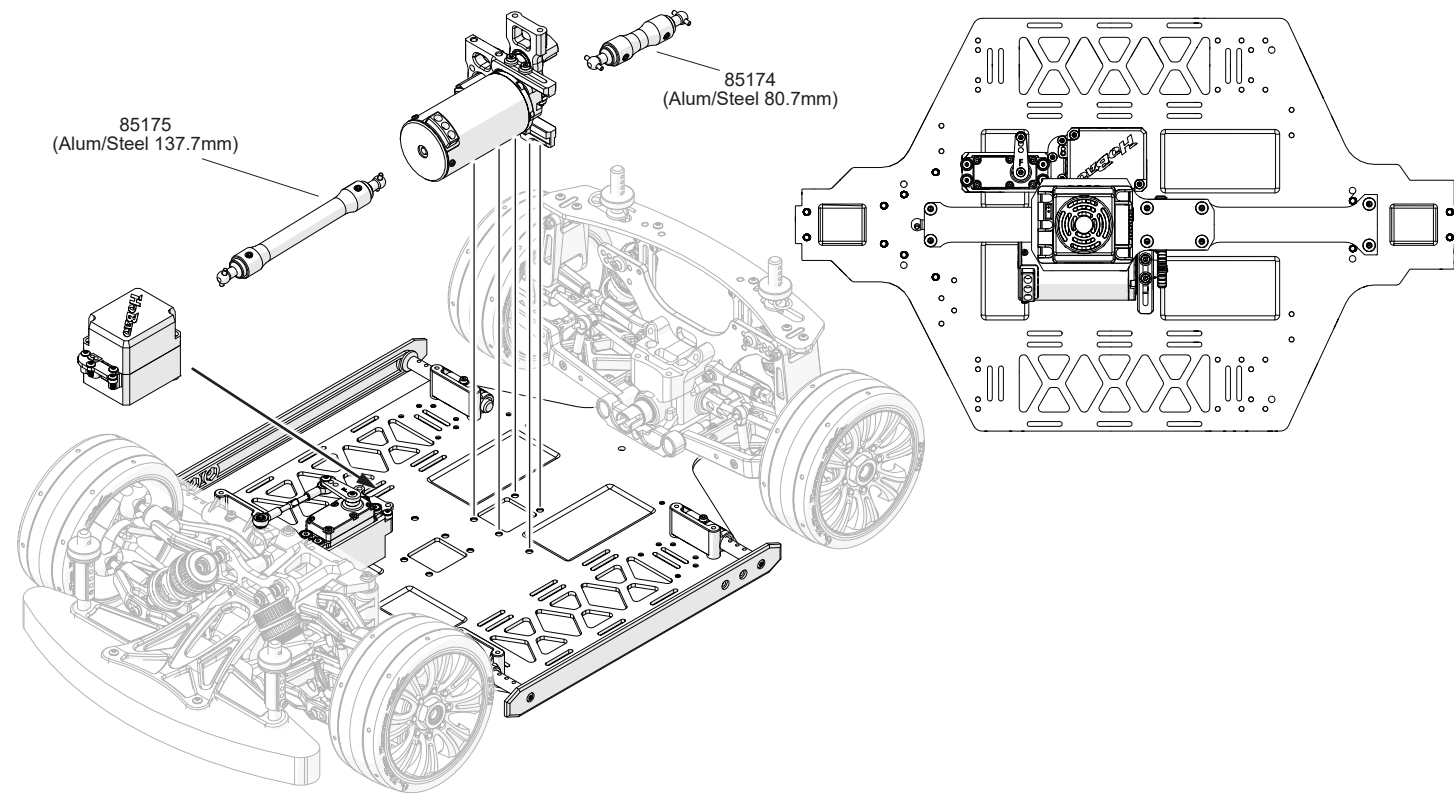
85148
Wheel Hex Nut x4

Tire Assembly



Weight Distribution Adjustment

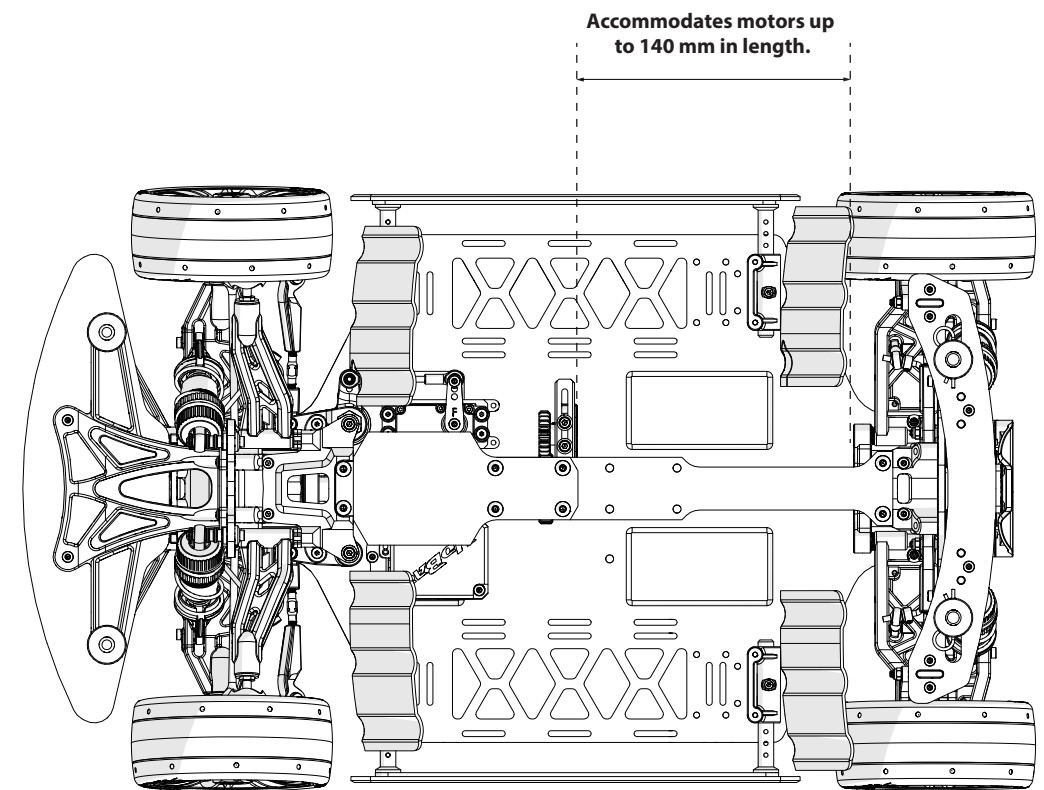
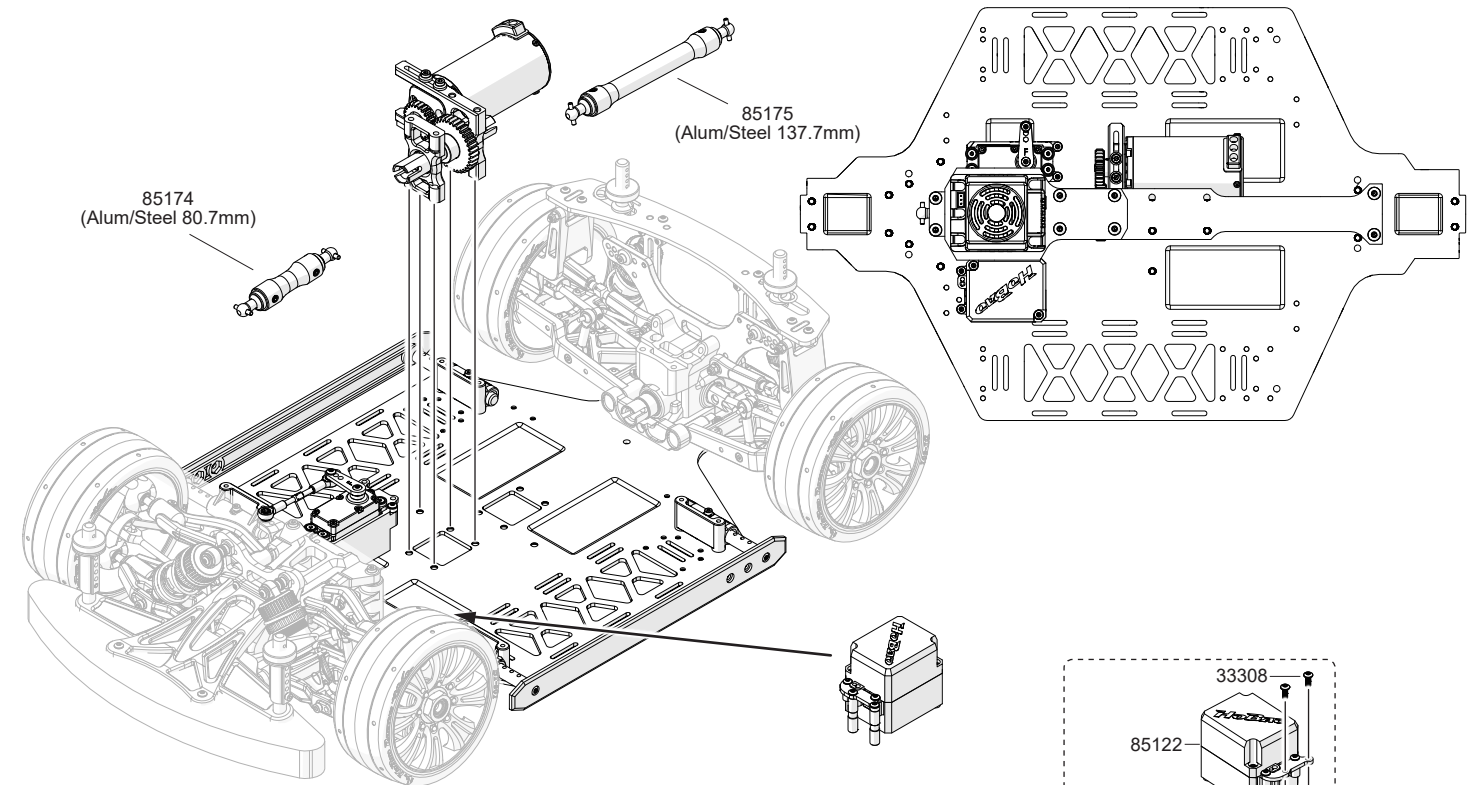
*** Weight Distribution Forward



Accommodates motors up to 119 mm in length.

Weight Distribution Adjustment

*** Motor Backward / Weight Distribution Backward



36101 5.8x1.9mm O-ring 10pcs	85026 2pcs 2pcs 2pcs	85068 3x43mm Alum 7075 Alum 2pcs	85092 6.8mm Alum 7075 4pcs	85117 2pcs	85139 CNC Alum 7075
36811 CNC Alum 3mm Washer 10pcs	85029 Φ3x2.5mm 4pcs	85069 2pcs Alum 2pcs Alum M3x3 Set Screw 2pcs Alum	85093 6.8mm Alum 7075 4pcs	85121 2pcs	85140 2pcs
36814 6.1x11x0.15 Washer 6pcs	85031 2pcs	85070 2pcs Alum 2pcs Alum M3x3 Set Screw 2pcs Alum	85094 7.8mm Alum 7075 4pcs	85122 2pcs	85145 +4mm CNC Alum
39057 2.5x10.8mm 6pcs	85035 2pcs	85078 2pcs 4pcs	85110 5.8x1.9x2mm O-ring 2pcs M4x4 Set Screw 2pcs	85125 2pcs	85146 M5x4 Set Screw 2pcs 2.5x16.8mm Pin 2pcs
84062-1 10pcs	85036 2pcs 2pcs	85082 2pcs	85111 M3x15 4pcs 43T	85126 2pcs 2pcs	85147 2pcs (+2mm) M5x4 Set Screw 2pcs 2.5x16.8mm Pin 2pcs
84076 8x16x5mm 4pcs	85044 CNC Alum	85087 3x43mm Alum 7075	85112 5.8mm Alum 7075 4pcs	85128 CNC Alum	85148 4pcs
84078 6x10x3mm 4pcs	85048 2pcs 2pcs 4pcs	85088 4x40mm Alum 7075 2pcs	85113 2pcs 2pcs	85130 CNC Alum	85152 M4x10 Set Screw 5pcs
85002 Rear 2pcs	85049 CNC Alum	85089 5x50mm Alum 7075 2pcs	85114 CNC Alum 7075 2pcs 2pcs	85136 2pcs M5x5 Set Screw 2pcs	85155 0' +4mm CNC Alum
85011 4x43.5mm Pin 2pcs	85051 4pcs	85090 6.8mm Alum 7075 4pcs	85115 2pcs 2pcs	85137 34T M5x5 Set Screw	85156 CNC Alum
85022 2pcs 2pcs	85067 2pcs 2.5x13.8mm Pin 2pcs	85091 6.8mm Alum 7075 4pcs	85116 2pcs	85138 2pcs	85159 CNC Steel M3x10 2pcs

85160 CNC Alum 3.1x6x20 2pcs	85171 Carbon Fiber CNC Alum M3x35 4pcs M3x10 2pcs M3x10 10pcs M3 Nut 4pcs	87027-1 2.5x16.8mm Pin 4pcs	88001 2pcs	89635 CNC Alum M3x8	90082 2pcs
85162 2pcs 2pcs	87028 13T	88002 M4x47 Screw 4pcs	90010 3.8x97 Dogbone 2pcs	90091 4pcs	
85163 2pcs M3x10 2pcs	87037 2pcs	88003-1 2pcs	90028 M3x50 2pcs	94117 2pcs 2.5x10.8mm 2pcs 6.1x13.9x0.15 Washer 2pcs 4pcs 4.1x8x0.1 Washer 4pcs	
85164 2pcs	85173 CNC Alum	87044S 4pcs	88004 4x2mm O-ring 10pcs 5pcs	90036 CNC Alum M3x10 2pcs	OP-0149
85165 M3x12 2pcs	85174 Alum/Steel 80.7mm Dogbone	87206 4pcs	88013 4x73mm Pin 4pcs	90048 4pcs	OP-0151 CNC Alum
85166 4pcs	85175 Alum/Steel 137.7mm Dogbone	87208 8pcs	88029 4pcs 4pcs 4pcs	90049 4pcs 4pcs 4pcs	OP-0153 CNC Alum
85167 4pcs M3x10 4pcs M2.6x12 4pcs	85176 Carbon Fiber	87209 4pcs	88030 4pcs 4pcs	90052 2pcs	
85168 Carbon Fiber 2pcs	85177 Carbon Fiber	87354 2pcs	88039 4pcs	90053 2pcs	
85169 Carbon Fiber	87005-2 6.1x13.9x0.15 Washer 6pcs	87375 6pcs	89312 6pcs Magic Strip 80mm 2pcs	90071 2pcs 2pcs	
85170 Magic Strip 600mm 2pcs	87021 2pcs M4x4 Set Screw 2pcs	87613 Antenna tube 6pcs	89604 4pcs 4pcs 2pcs 6pcs	90079 2pcs	

STANDARD PARTS			
36101	O-RING 5.8x1.9MM, 10PCS	85137	MOTOR GEAR 34T- 1M/ 8MM
36811	CNC ALUM 3MM WASHER, 10PCS	85138	CENTER SPOOL SET W/ 34T STEEL SPUR GEAR
36814	SPACER 6.1x11x0.15MM, 6PCS	85139	CNC ALUM SPOOL SPACER SET
39057	PIN 2.5x10.8MM, 6PCS	85140	SHOCK SPRING- HARD/ ORANGE, 2PCS
84062-1	BODY FOAM SPACER	85145	CNC ALUM REAR LOWER ARM HOLDER(RF) +4MM
84076	BEARING 8x16x5MM	85146	17mm WHEEL HEX HUB SET
84078	BEARING 6x10x3MM	85147	17MM +2MM WHEEL HEX HUB SET
85002	REAR LOWER ARM SET	85148	17MM ANTI LOOSE WHEEL HEX NUT, 4PCS
85011	PIN 4x43.5MM	85152	DROOP SCREW, 5PCS
85022	STEERING KNUCKLE ARM	85155	CNC ALUM REAR LOWER ARM HOLDER(RR)- 0 DEG / +4mm
85026	ADJUSTABLE ARM INSERT	85156	CNC ALUM REAR SHOCK TOWER
85029	ARM SPACER	85159	CNC STEEL SCREWS M3X10X4.2mm, 2PCS
85031	FRONT UPPER ARM HOLDER	85160	ALUM BUSHING 3.1x6x20mm, 2PCS
85035	VT FRONT BUMPER FOAM	85162	HUB TO FLATS MOUNT & CENTER BRACKET MOUNT, 2 EACH
85036	VT FRONT BUMPER SET WITH BODY POST	85163	REAR BODY POST, 2PCS
85044	VT CNC ALUM FRONT LOWER ARM HOLDER FOR FR	85164	REAR HUB EXTENSION ARM, 2PCS
85048	VT REAR BODY POST	85165	SPLASH GUARD, 2PCS
85049	VT CNC ALUM FRONT SHOCK TOWER	85166	SIDE BODY SUPPORT MOUNT, 4PCS
85051	SHOCK BOOTS, 4PCS	85167	SIDE BODY SUPPORT SET
85067	LIGHTWEIGHT DIFFERENTIAL OUTDRIVE CUP	85168	CARBON FIBER CENTERING BRACKET, 2PCS
85068	ALUM 7075 SERVO LINKAGE SET FOR STEERING	85169	CARBON FIBER REAR FLOATING BODY MOUNT
85069	FRONT SWAY BAR SET	85170	MAGIC STRIP (600mm), 2PCS
85070	REAR SWAY BAR SET	85171	REAR FLOATING BODY MOUNT KIT
85078	ADJUSTABLE ARM RETAINER CLIP	85173	LIGHTWEIGHT CNC ALUM CHASSIS
85082	WASHER FOR SERVO SAVER	85174	CENTER DRIVE SHAFT-80.7mm (STEEL / ALUM)
85087	ALUM 7075 TURNBUCKLE 3X43MM	85175	CENTER DRIVE SHAFT-137.7mm (STEEL / ALUM)
85088	ALUM 7075 TURNBUCKLE 4X40MM	85176	CARBON FIBER TOP BRACE
85089	ALUM 7075 TURNBUCKLE 5X50MM	85177	CARBON FIBER ESC TOP TRAY
85090	ALUM 7075 SHOCK BALLS - 6.8MM	87005-2	SPACER 6.1x13.9x0.15MM
85091	ALUM 7075 BALLS - 6.8MM	87021	OUTDRIVE CUP
85092	ALUM 7075 FLANGED BALLS - 6.8MM	87027-1	PIN 2.5x16.8MM, 4PCS
85093	ALUM 7075 FLANGED BALLS - 6.8MM	87028	DIFFERENTIAL PINION GEAR 13T
85094	ALUM 7075 FLANGED BALLS - 7.8MM	87037	AXLE CUP
85110	NEW DIFFERENTIAL CASE SET	87044S	ALUM COLLAR 3x10MM
85111	NEW CROWN GEAR 43T FOR # 85110	87206	PIVOT BALL FRONT STEERING HUBS
85112	ALUM 7075 FLANGED BALLS - 5.8MM	87208	PIVOT BALL PLASTIC BALL WASHERS/SPACERS
85113	NEW SERVO SAVER ARM	87209	PIVOT BALL NUTS
85114	CNC ALUM 7075 STEERING RACK SET	87354	FRONT UNIVERSAL JOINT DRIVESHAFTS
85115	SERVO SAVER POST SET	87375	BODY CLIPS
85116	FRONT UPPER ARM	87613	ANTIENNA TUBE, 6 PCS
85117	FRONT LOWER ARM	88001	GEAR BOX
85121	1/7 VTE2 SERVO MOUNT	88002	HEX SCREW 4x47MM
85122	LARGE CAPACITY RECEIVER BOX	88003-1	REAR BUMPER
85125	REAR TOP BRACE MOUNT	88004	FRONT LOWER ARMS HOLDER
85126	FRONT BODY POST	88013	ARM SHAFT 4x73MM
85128	1/7 VTE2 CNC ALUM FRONT TOP PLATE	88029	REAR HUB SET
85130	CNC ALUM FIXED PLATE FOR RECEIVE BOX	88030	REAR UPPER ARM PLASTIC ROD END
85136	SPOOL CUP, 2PCS (HEAVY DUTY)	88039	STABILIZER BALL

SCREW		OPTIONAL PARTS	
31310	M3x10 FLAT HEAD SCREW	85123	QUICK RELEASE BATTERY TRAY MOUNT, 4PCS
31312	M3x17 FLAT HEAD SCREW	85127	CNC ALUM RR SUSPENSION MOUNT (0°)
31315	M3x18 FLAT HEAD SCREW	85144	CNC ALUM RR SUSPENSION MOUNT (0.25°+4mm)
31320	M3x20 FLAT HEAD SCREW	89147	CNC ALUM REAR WHEEL HUB
31410	M4x10 FLAT HEAD SCREW	94115	LARGE CAPACITY BATTERY TRAY
31414	M4x14 FLAT HEAD SCREW	OP-0110	VS FRONT SWAY BARS SET- 2.3MM, 2.8MM & 3MM
31416	M4x16 FLAT HEAD SCREW	OP-0111	VS REAR SWAY BARS SET - 2.3MM, 2.5MM & 3MM
32310	M3x10 CAP HEAD SCREW	OP-0115	VS CNC ALUM REAR LOWER ARM HOLDER - RF
32312	M3x12 CAP HEAD SCREW	OP-0116	VS CNC REAR LOWER SUSPENSION ARMS HOLDER
32314	M3x14 CAP HEAD SCREW	OP-0117	VS CNC ALUM REAR LOWER ARM HOLDER 0.5 DEG. - RR
32320	M3x20 CAP HEAD SCREW	OP-0118	VS CNC ALUM REAR LOWER ARM HOLDER 0.75 DEG. - RR
33306	M3x6 BUTTON HEAD SCREW	OP-0139	STEEL BEVEL GEARS SET
33308	M3x8 BUTTON HEAD SCREW	OP-0145	CNC ALUM RECEIVER BOX POST, 2PCS
33310	M3x10 BUTTON HEAD SCREW	OP-0146	DIFFERENTIAL CROWN GEAR 40T FOR 15T PINION
33312	M3x12 BUTTON HEAD SCREW	OP-0147	DIFFERENTIAL PINION GEAR 15T FOR 40T CROWN
33315	M3x15 BUTTON HEAD SCREW	OP-0148	ALUM. DIFF CASE WITH COVER, GASKET, SCREWS
33335	M3x35 BUTTON HEAD SCREW	OP-0150	7075 NEW VTE2 MOTOR MOUNT FOR 57MM MOTOR
33410	M4x10 BUTTON HEAD SCREW	OP-0152	SLIDER FOR 57MM MOTOR
33412	M4x12 BUTTON HEAD SCREW	OP-0154	7075 ALUM. QUICK RELEASE GEARBOX SET
36212	M2.6x12 PAN HEAD SCREW	OP-0155	7075 CNC VTE/ VTE2 FRONT STOCK TOWER FOR ALUM GEARBOX
38303	M3x3 SET SCREW	OP-0156	7075 CNC VTE/ VTE2 REAR STOCK TOWER FOR ALUM GEARBOX
38304	M3x4 SET SCREW	OP-0157	7075 CNC VTE2 TOP BRACE REAR MOUNT FOR ALUM GEARBOX
38404	M4x4 SET SCREW	OP-0158	VT/VTE BRASS WEIGHT-160g
38410	M4x10 SET SCREW	OP-0159	VTE2 FRONT UNIVERSAL DRIVE SHAFT (5.3mm), 2PCS
38504	M5x4 SET SCREW	OP-0161	VTE2/ VT/ GT REAR DOGBONE (5mm), 2PCS
38505	M5x5 SET SCREW	OP-0166	HYPHER VTE2 BRASS STEERING HUB
39008	M3 NYLON NUT	OP-0167	VTE2 STEERING PIVOT BALL SET
		OP-0172	CNC ALUM SERVO SAVER ARM
		OP-0173	VTE2 V2 ALUM REAR SHOCK TOWER FOR ALUM GEARBOX
		OP-0176	NEW REAR LOWER ARM HOLDER (RF) W/ POM PILLS
		OP-0177	NEW REAR LOWER ARM HOLDER (RR) W/ POM PILLS
		OP-0178	NEW REAR ARM HOLDER POM PILL INSERTS (1 DEG),8PCS
		OP-0179	NEW REAR ARM HOLDER POM PILL INSERTS (0.5 DEG),16PCS

